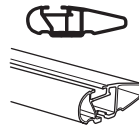
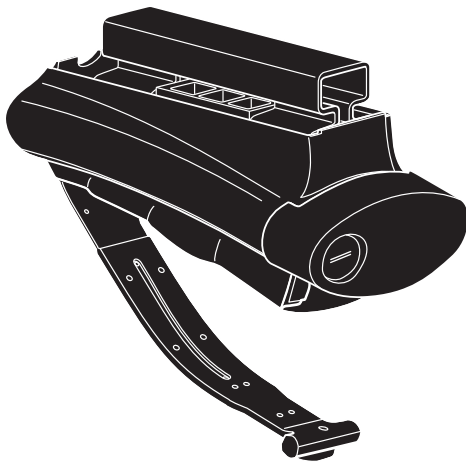
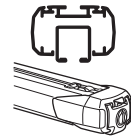


Thule Rapid System 775

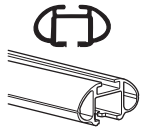
> Instructions



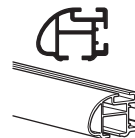
WingBar



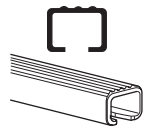
SlideBar



AeroBar



ProBar



SquareBar

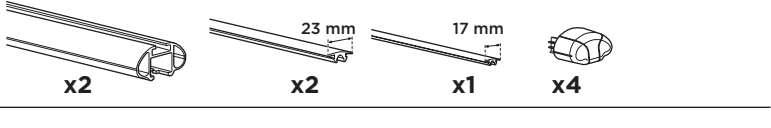
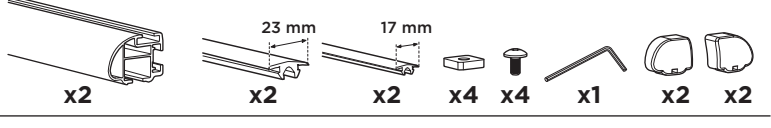
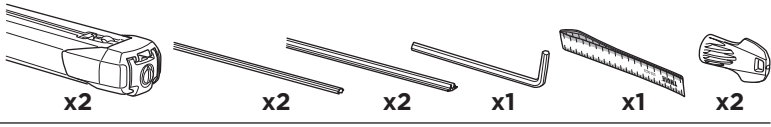
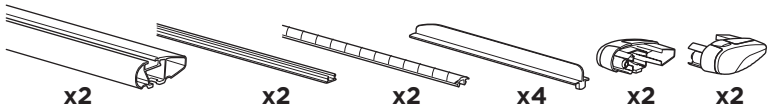
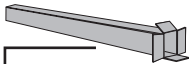
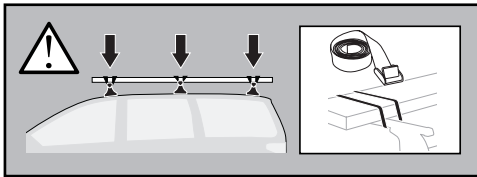
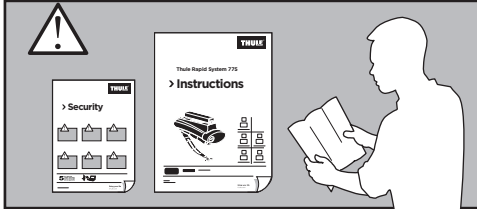
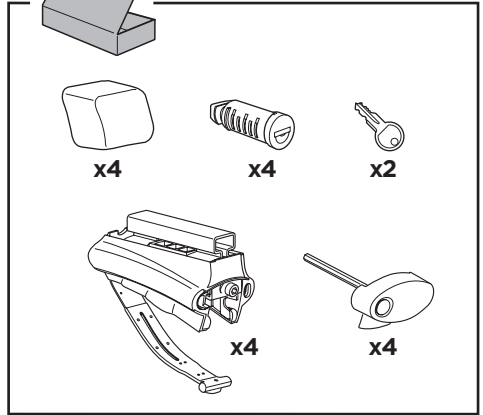
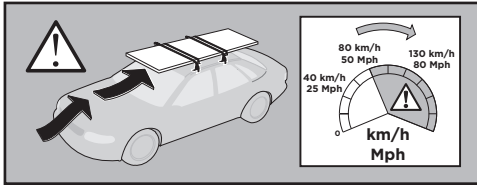


CITY CRASH ISO 11154-E

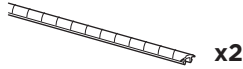
Complies with ISO norm

775000

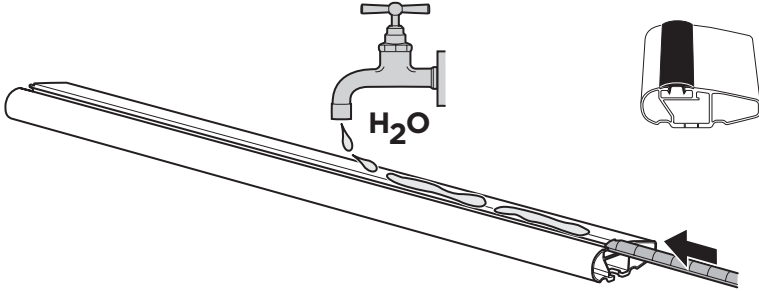
C.20120330
501-6882-05



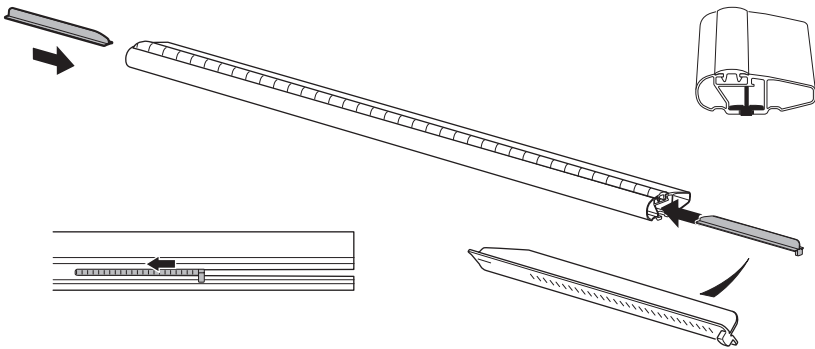
1



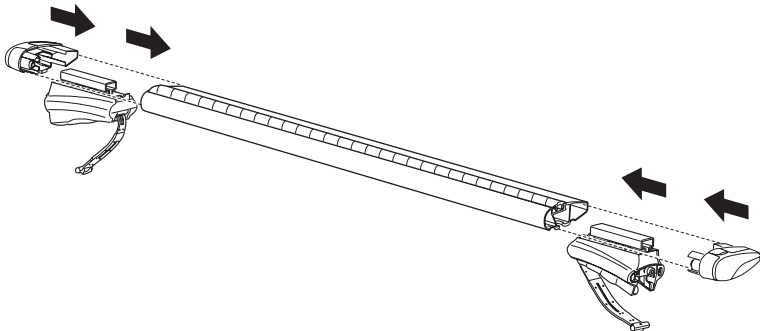
A



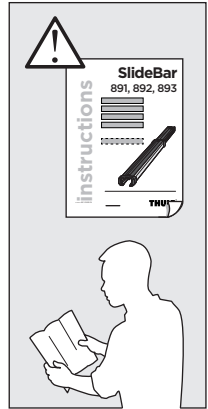
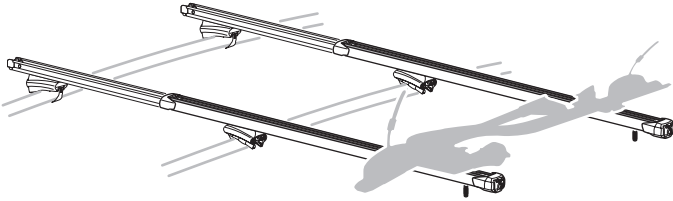
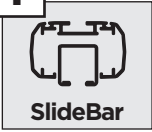
B



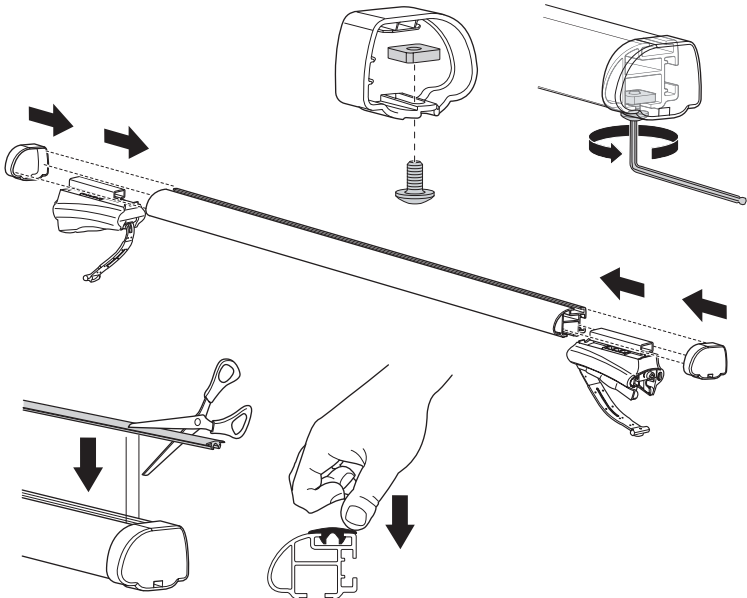
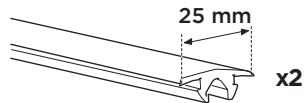
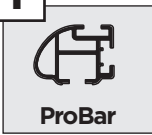
C



1



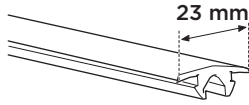
1



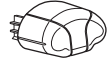
1



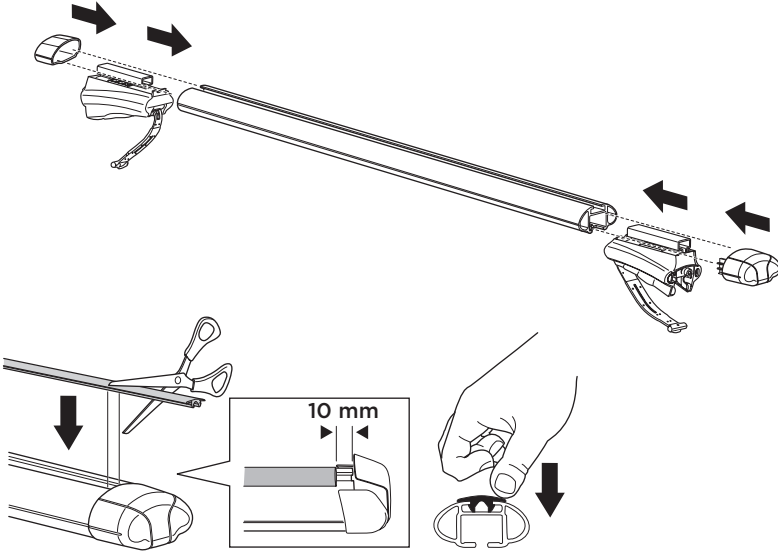
AeroBar



x2



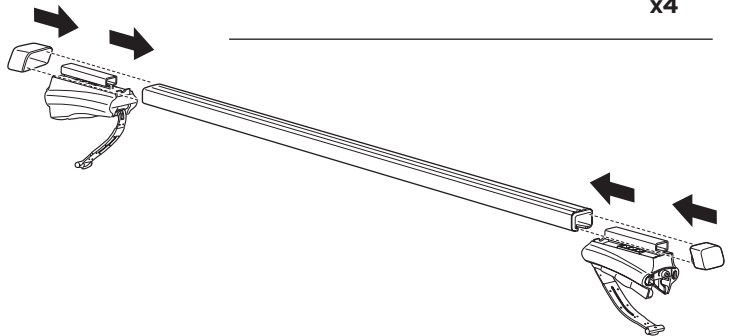
x4



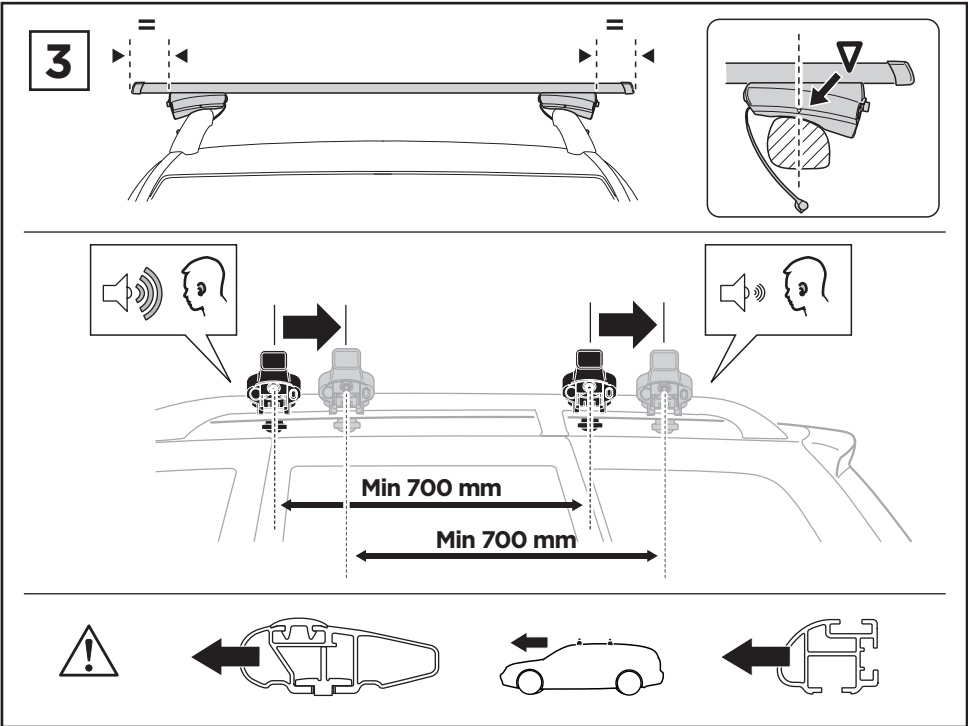
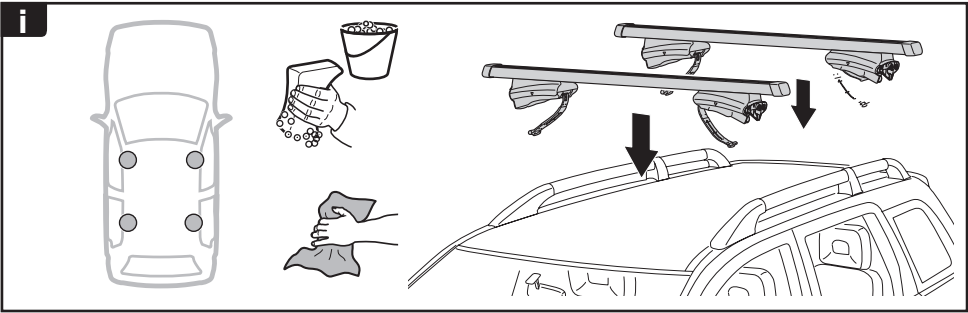
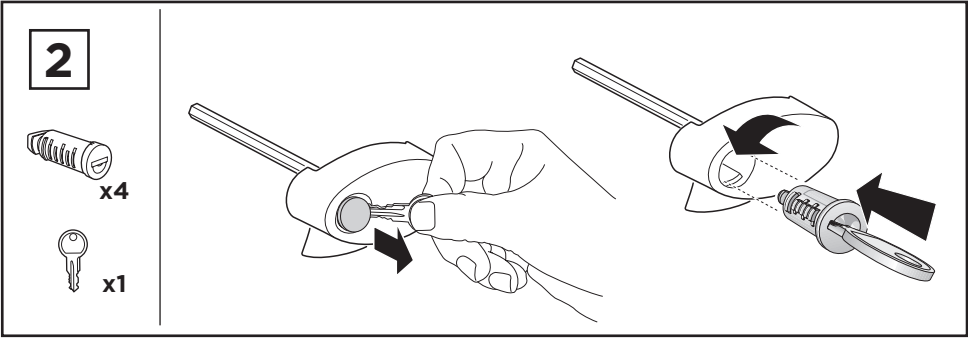
1



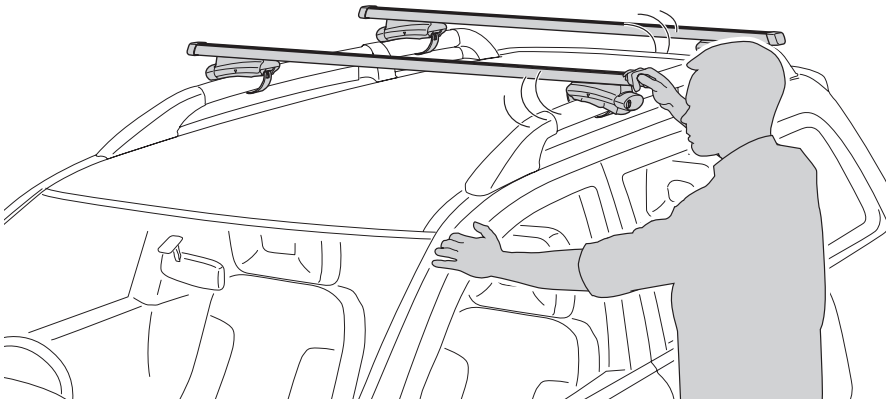
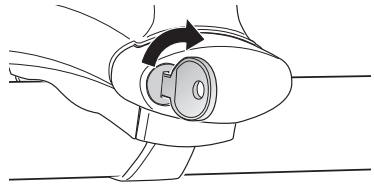
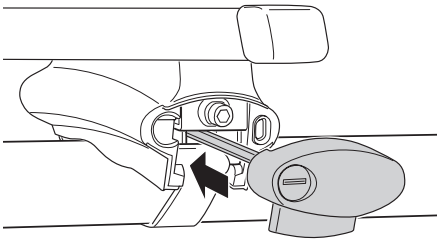
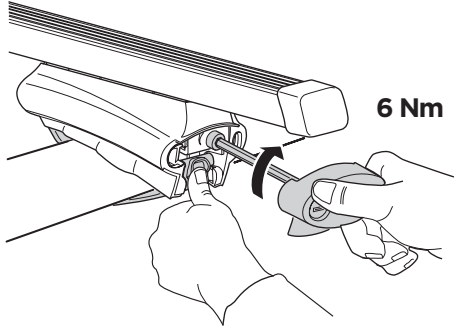
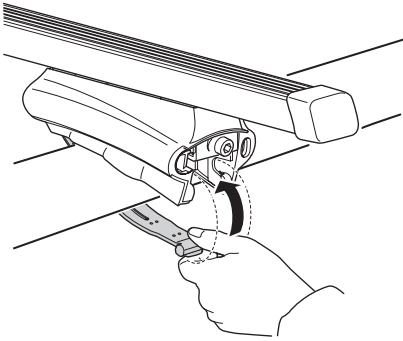
SquareBar

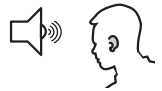


x4

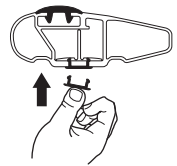
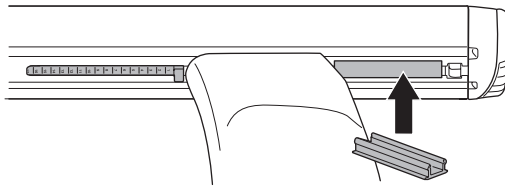
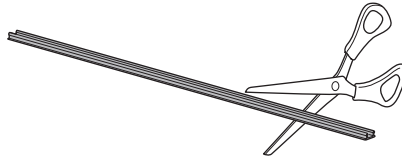
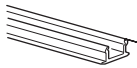


4

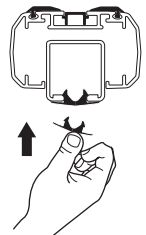
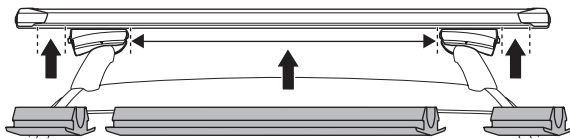
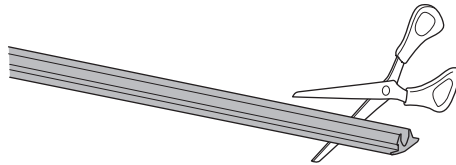
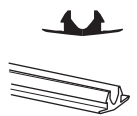


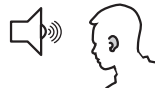


WingBar

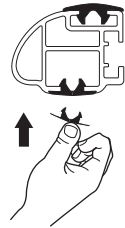
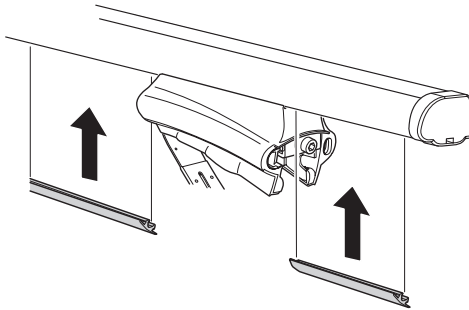
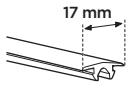
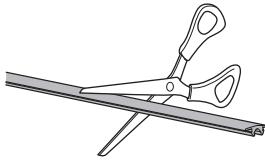


SlideBar

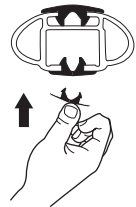
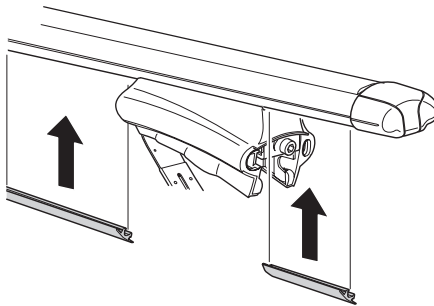
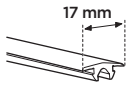
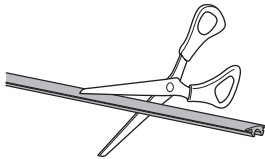




ProBar

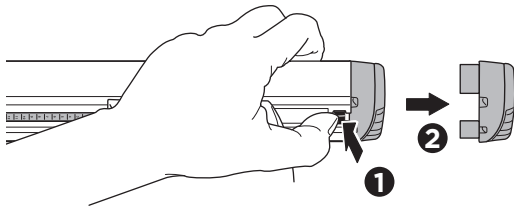
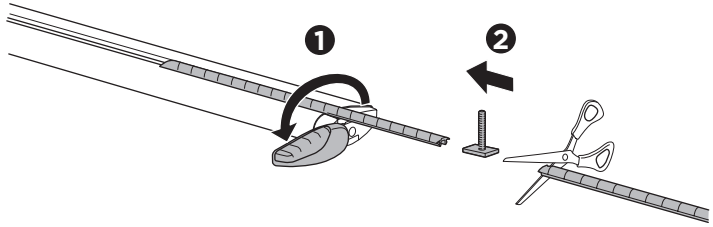


AeroBar

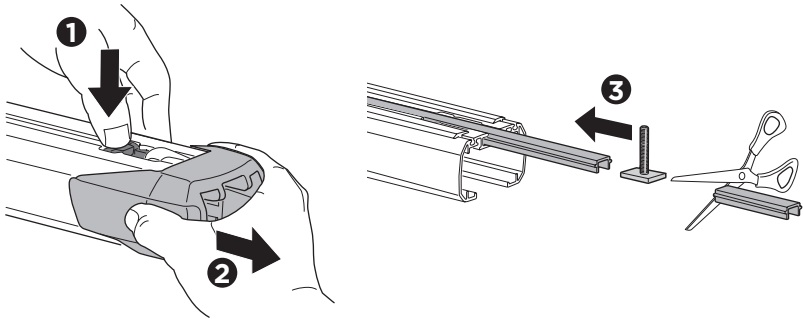




WingBar

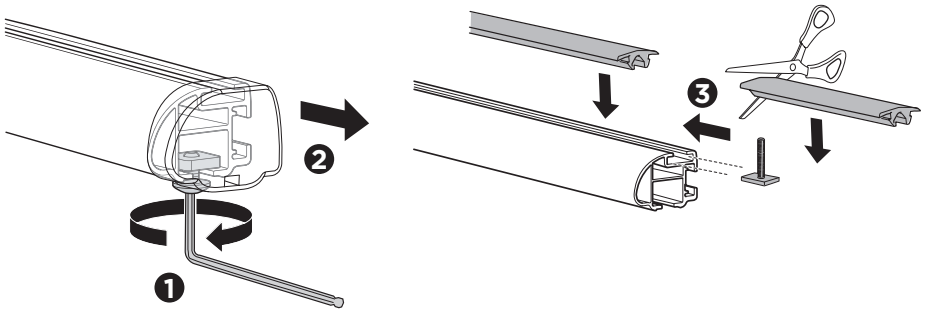


SlideBar

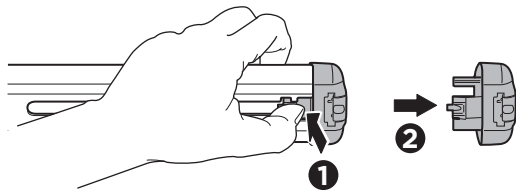
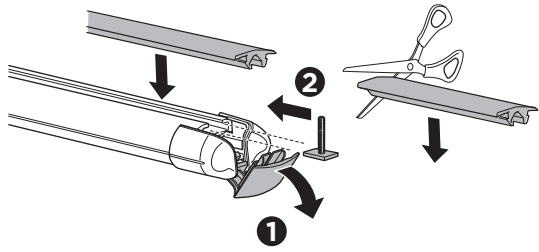




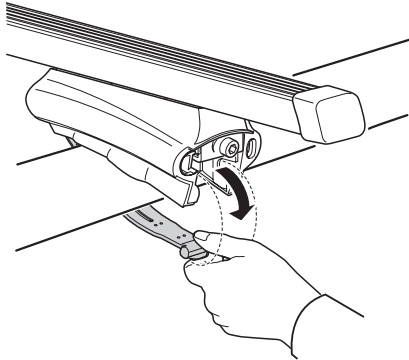
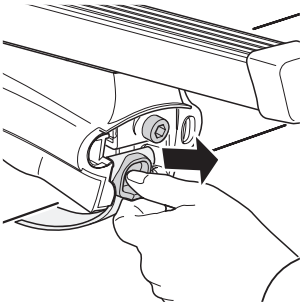
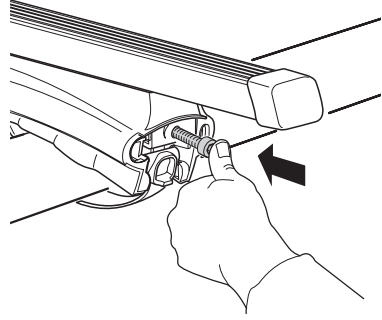
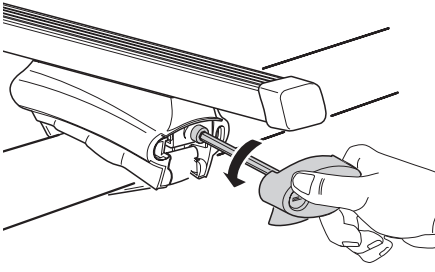
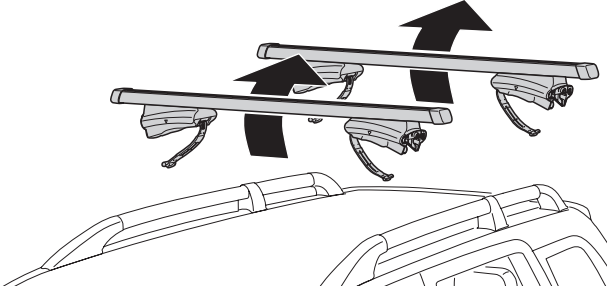
ProBar



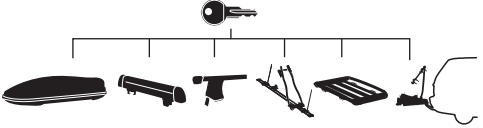
AeroBar







i



Thule One-Key System



- 544**  (x4)
- 596**  (x6)
- 588**  (x8)
- 452**  (x12)