

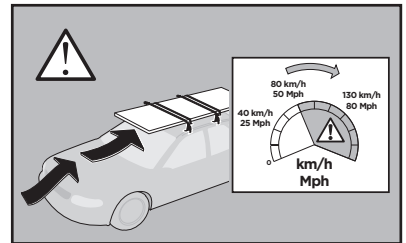
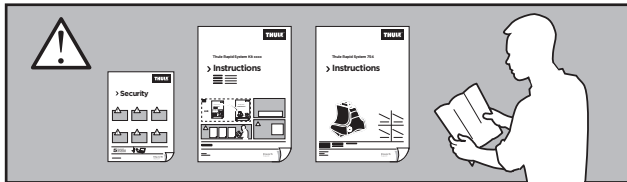
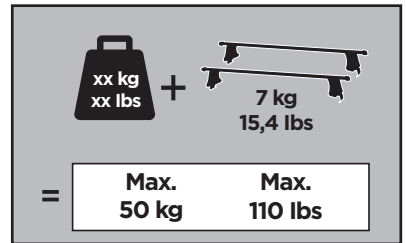
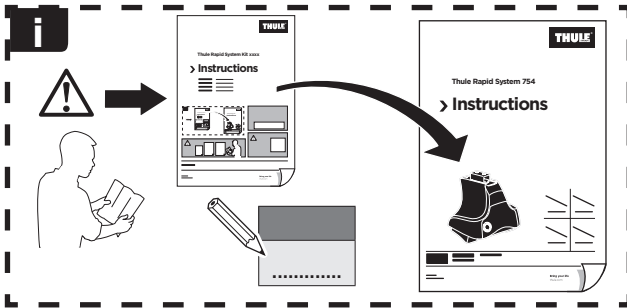
Thule Rapid System Kit 1647

> Instructions

CHEVROLET Volt, 4-dr Sedan, *11-

OPEL Ampera, 4-dr Sedan, 11-

*North America



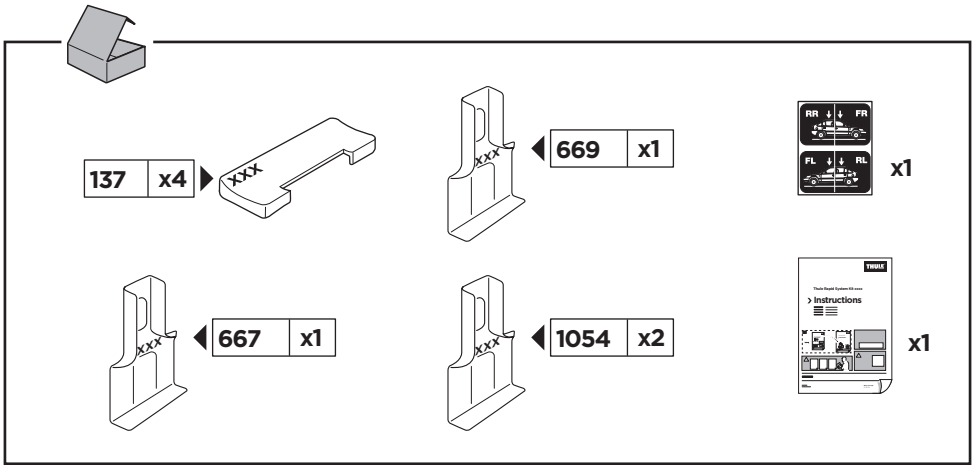
ISO 11154-E

141647

C.20130107
519-1647-01

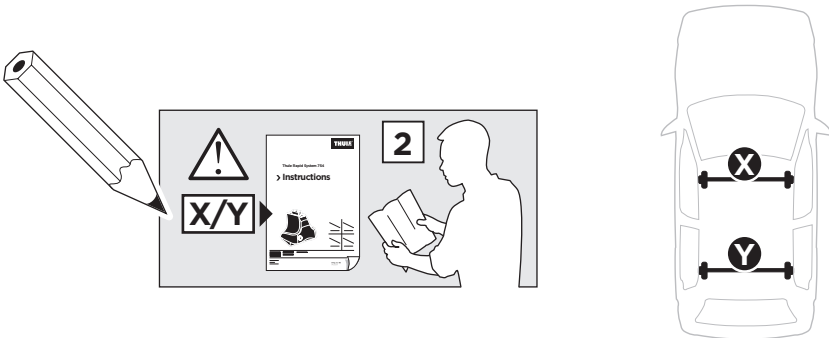
Bring your life

thule.com



1

	X (scale)	X (mm)	X (inch)
CHEVROLET Volt , 4-dr Sedan, *11-	38,5	1036	40 ³ / ₄
OPEL Ampera , 4-dr Sedan, 11-	38,5	1036	40 ³ / ₄

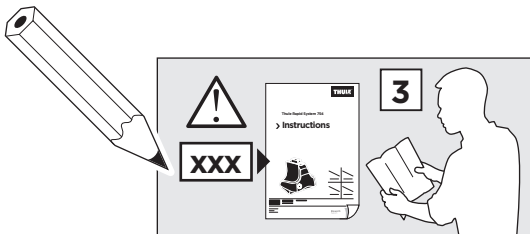
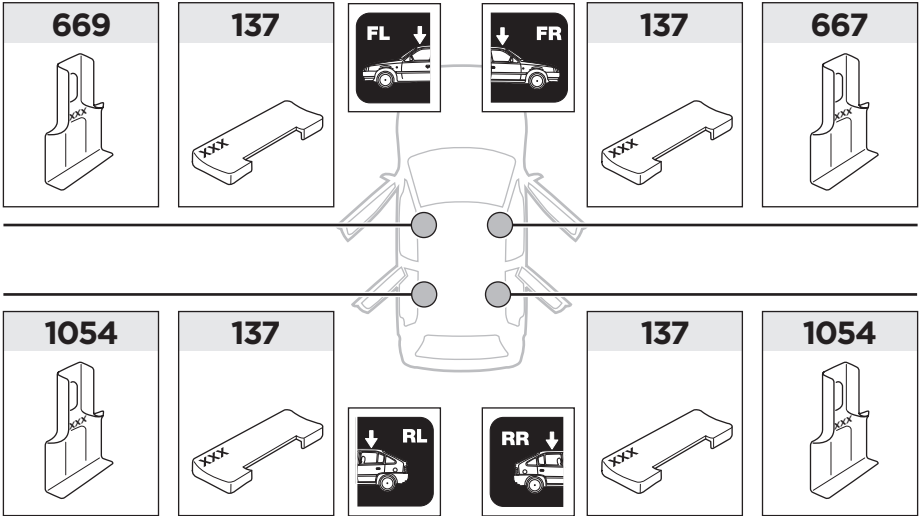


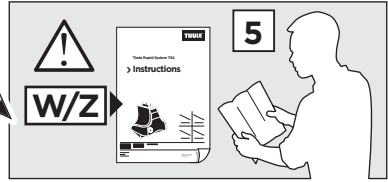
	Y (scale)	Y (mm)	Y (inch)
CHEVROLET Volt , 4-dr Sedan, *11-	37	1021	40 ¹ / ₄
OPEL Ampera , 4-dr Sedan, 11-	37	1021	40 ¹ / ₄

2

CHEVROLET Volt, 4-dr Sedan, *11-

OPEL Ampera, 4-dr Sedan, 11-



3

	W (mm)	Z (mm)	W (inch)	Z (inch)
CHEVROLET Volt , 4-dr Sedan, *11-	254	622	10	24 1/2
OPEL Ampera , 4-dr Sedan, 11-	254	622	10	24 1/2

