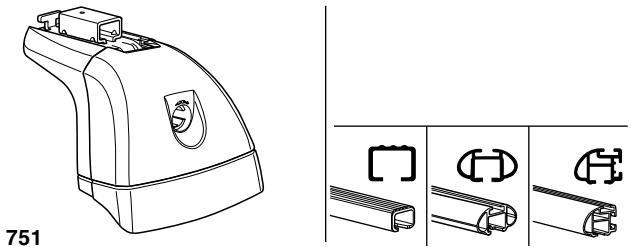
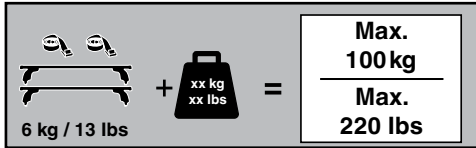


# Kit 3044

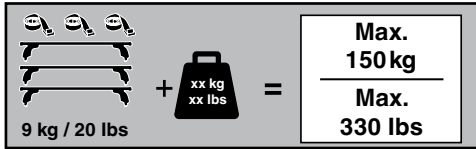
**VOLKSWAGEN California (T5)**, 4-dr Bus, 03-09, 10-  
**VOLKSWAGEN Caravelle (T5)**, 4-dr Bus, 03-09, 10-  
**VOLKSWAGEN Multivan (T5)**, 4-dr Bus, 03-09, 10-  
**VOLKSWAGEN Shuttle (T5)**, 4-dr Bus, 03-09, 10-  
**VOLKSWAGEN Transporter (T5)**, 4-dr Van, 03-09, 10-

This Kit is only for vehicles with fixpoint mounting or T-profile.

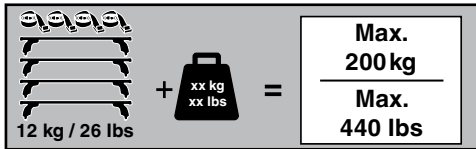




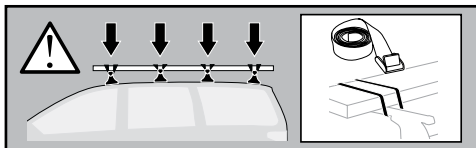
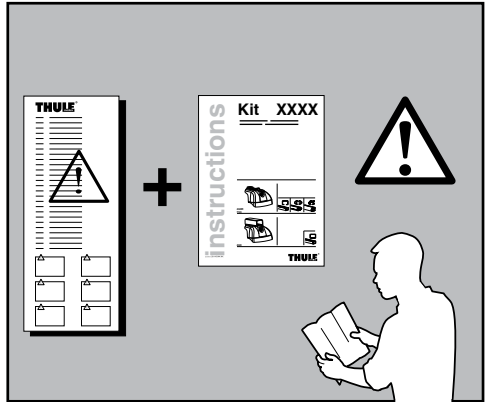
6 kg / 13 lbs + xx kg xx lbs = **Max. 100 kg**  
**Max. 220 lbs**





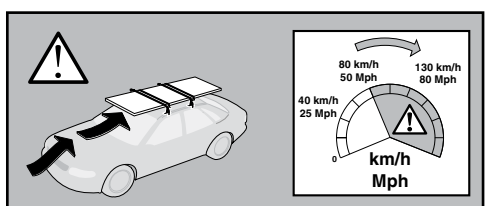
9 kg / 20 lbs + xx kg xx lbs = **Max. 150 kg**  
**Max. 330 lbs**


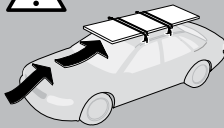
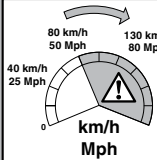


12 kg / 26 lbs + xx kg xx lbs = **Max. 200 kg**  
**Max. 440 lbs**

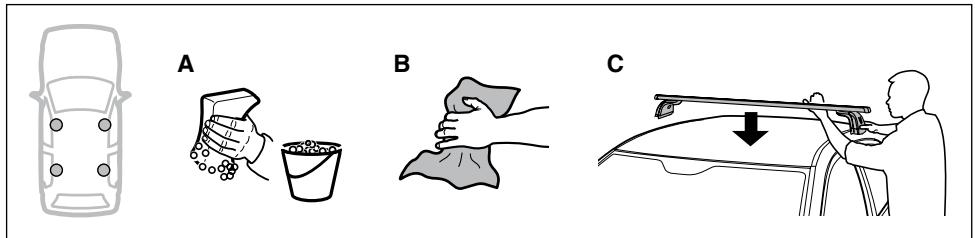



THULE + Kit XXXX +  

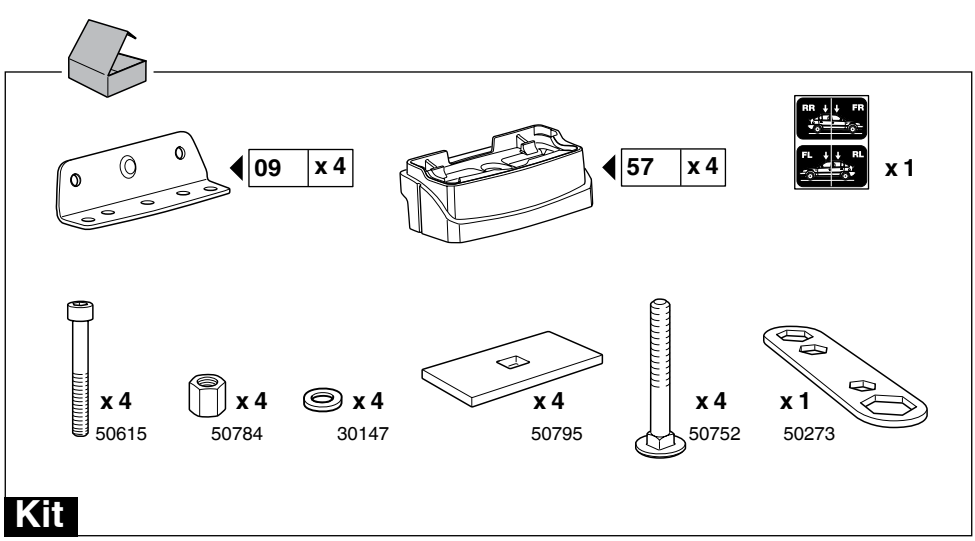


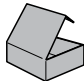
  

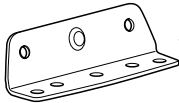

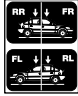
80 km/h 130 km/h  
50 Mph 80 Mph  
40 km/h 25 Mph  
0 km/h Mph

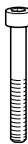


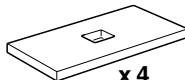
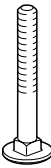



A B C



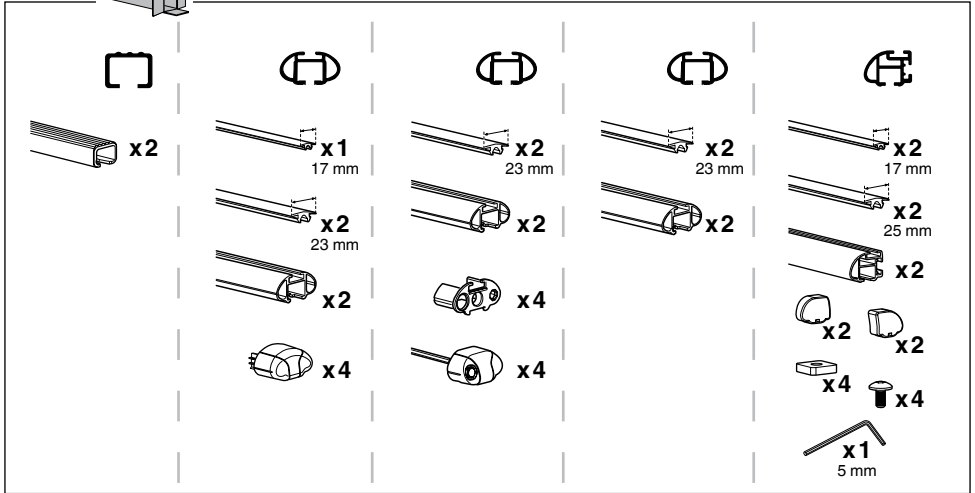
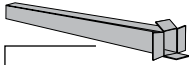
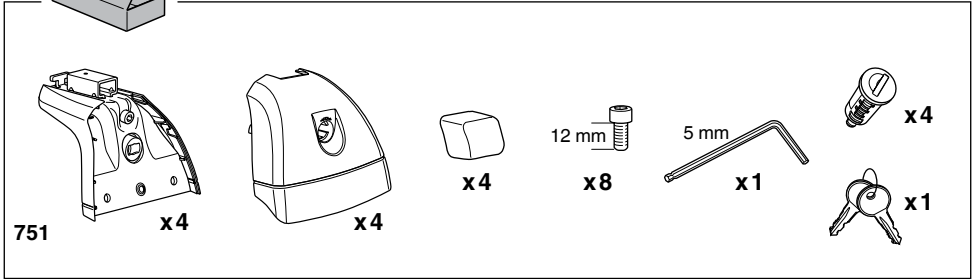


 09 x 4  57 x 4  x 1

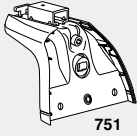
 x 4  x 4  x 4  x 4  x 4  x 1

50615 50784 30147 50795 50752 50273

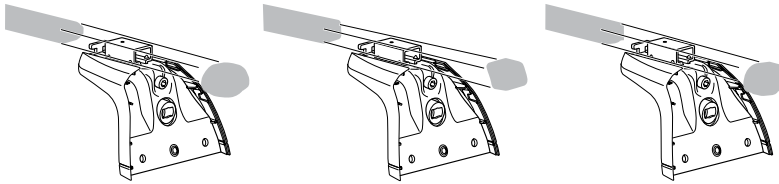
**Kit**



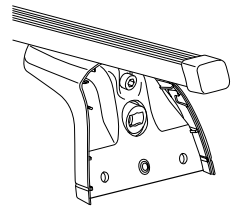
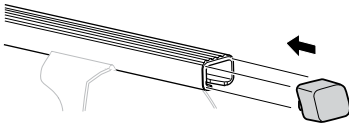
1



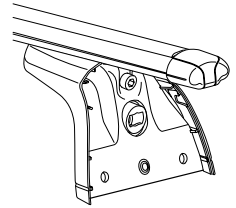
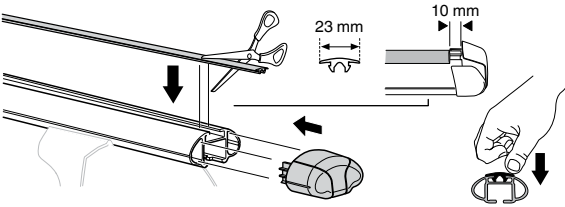
751



x4

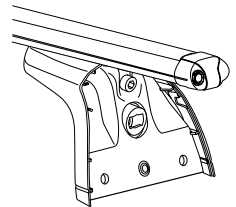
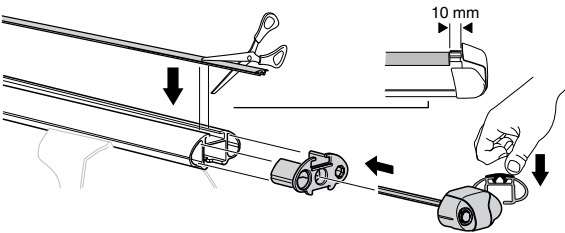


x4



x4

x4



x2

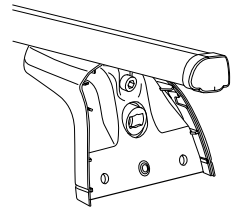
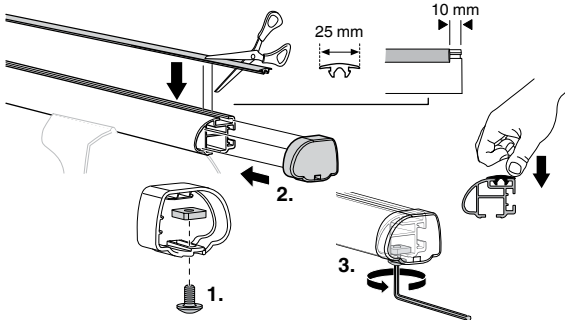
x2

x4

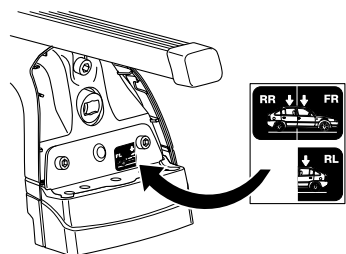
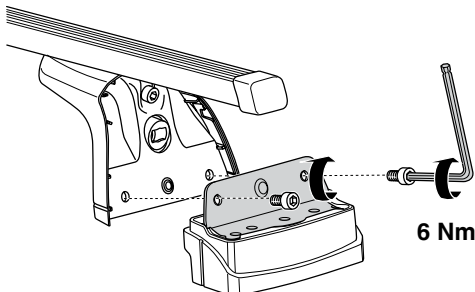
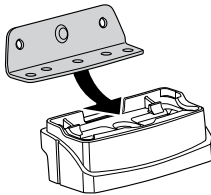
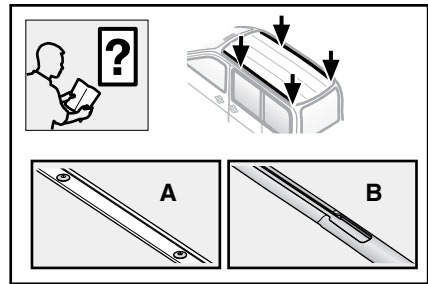
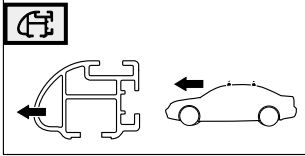
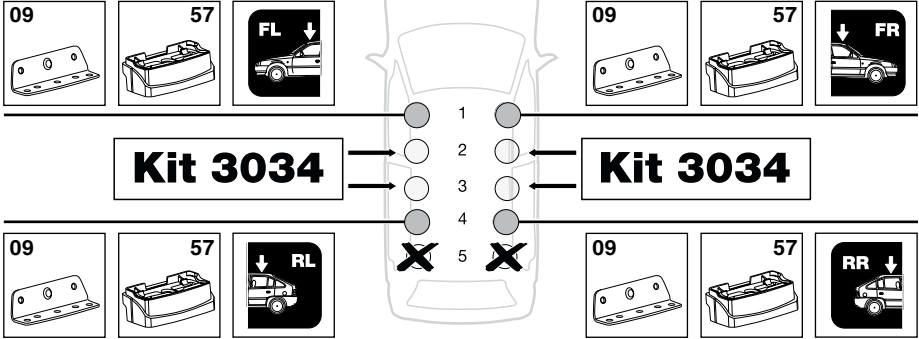
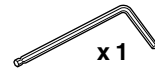
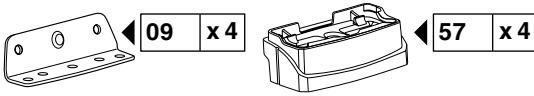
x4

x1

5 mm



2



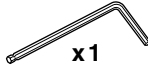
**3**



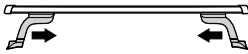
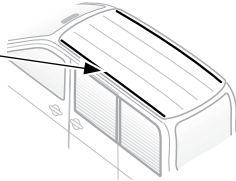
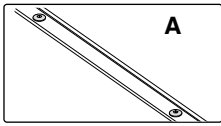
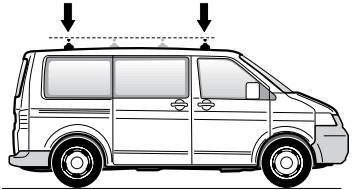
x4



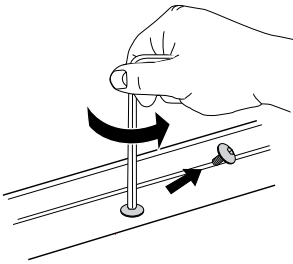
x4



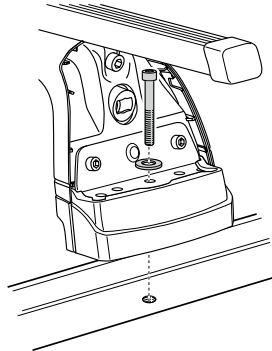
x1



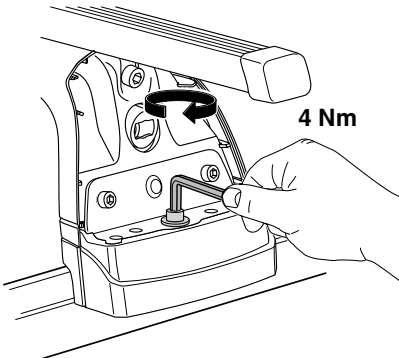
**A**



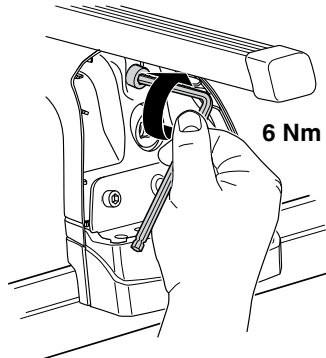
**B**



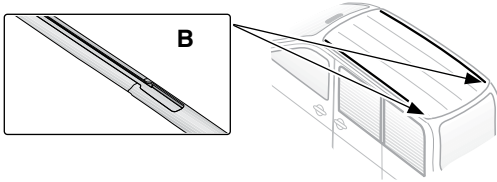
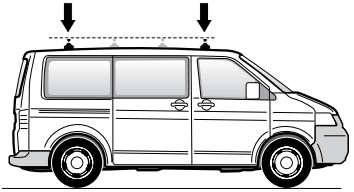
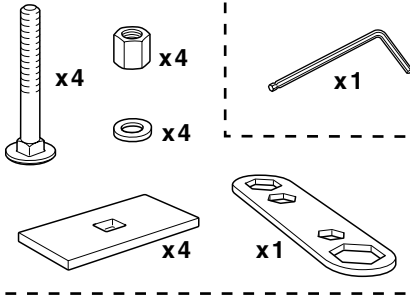
**C**



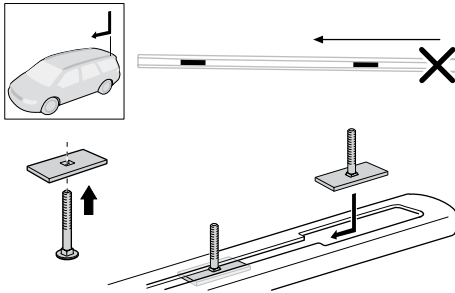
**D**



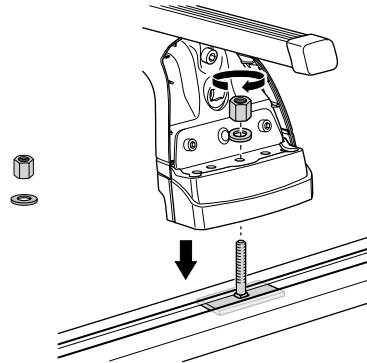
**3**



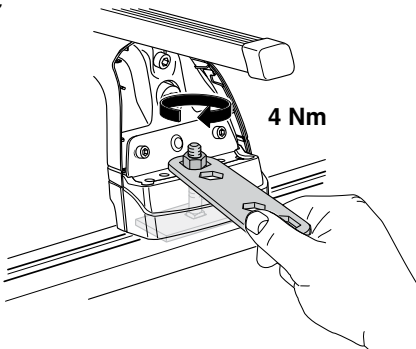
**A**



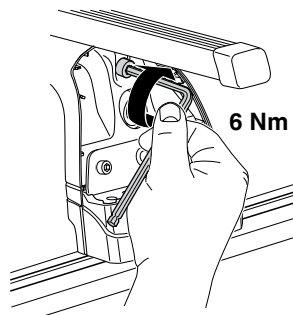
**B**



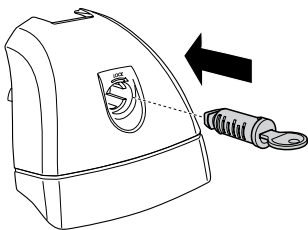
**C**



**D**

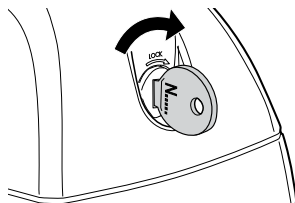
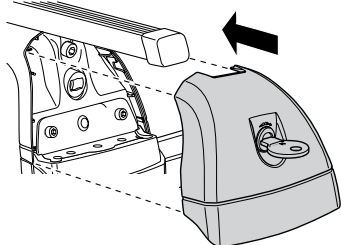
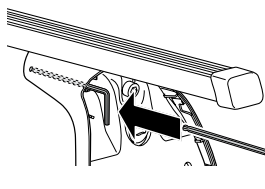


**4**

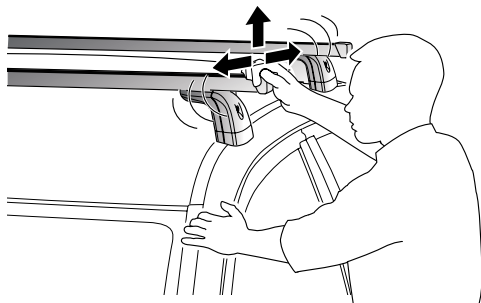


**5**

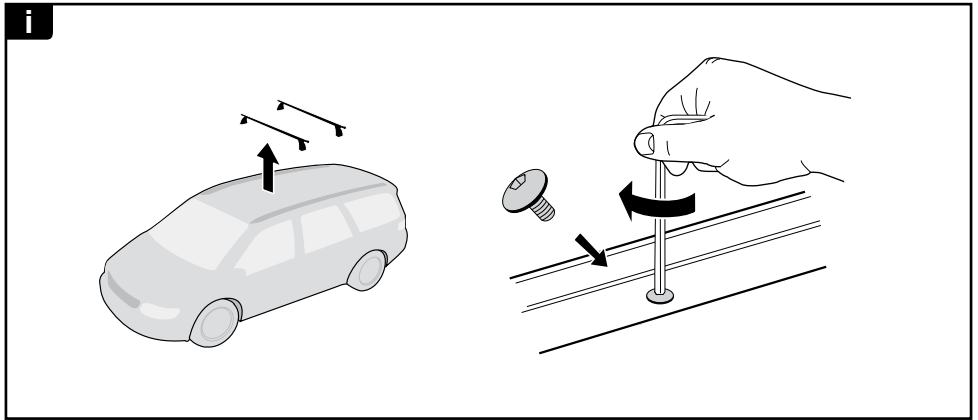
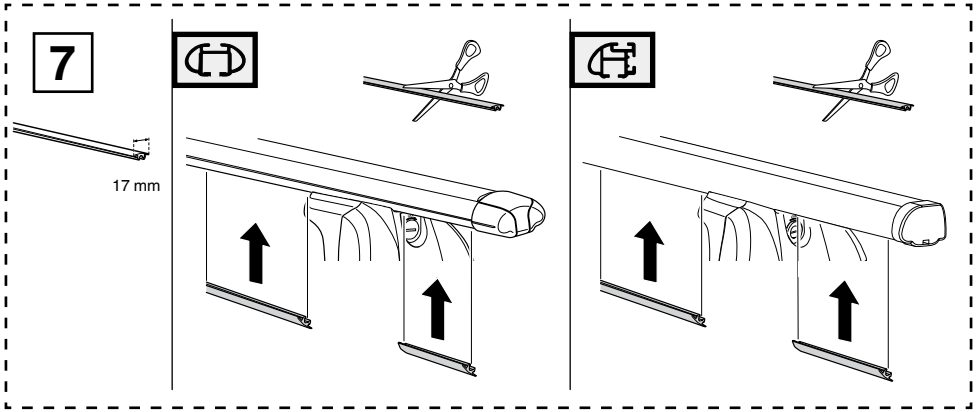
5 mm



**6**

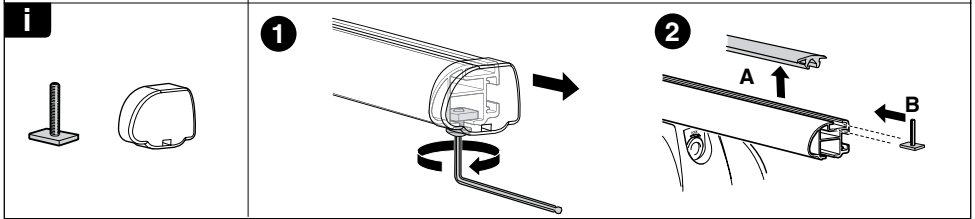
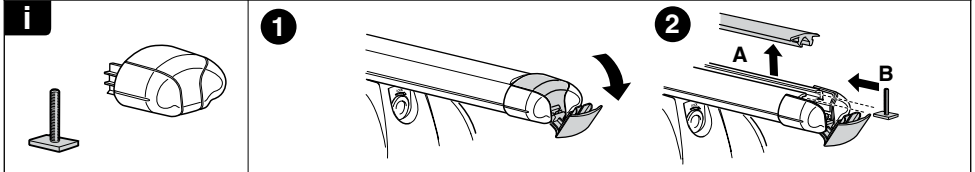
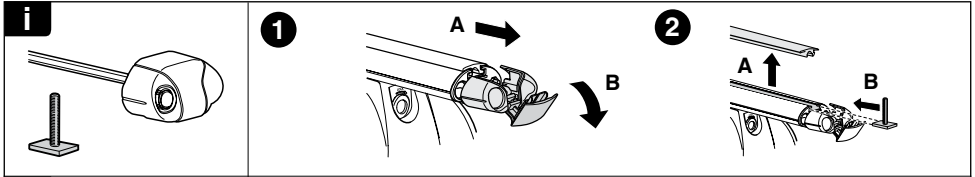
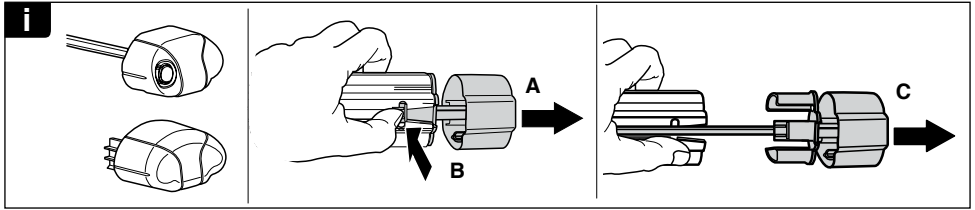




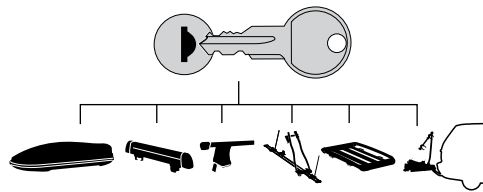













**THULE**  
SWEDEN  
**ONE  
KEY  
SYSTEM**



-  **544** (x4)
  -  **596** (x6)
  -  **588** (x8)
  -  **510** (x10)
  -  **452** (x12)
- NA  
EUR  
ASIA

WW ▶ Thule Sweden AB, Box 69, 330 33 Hillerstorp, SWEDEN  
NA ▶ Thule Inc., 42 Silvermine Road, Seymour, Connecticut 06483, USA

info@thule.com  
customer.service@thule.com

 [www.thule.com](http://www.thule.com)  
506-3044-02