

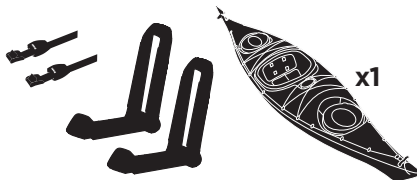
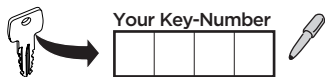
# > Instructions

Thule Hull-a-Port Aero  
849000





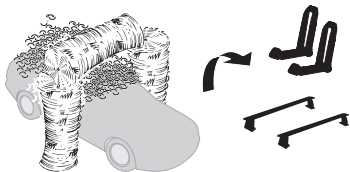
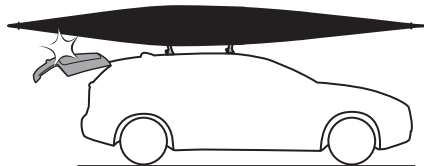
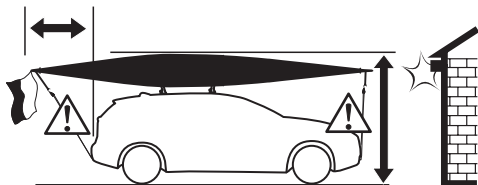
**i**



x1

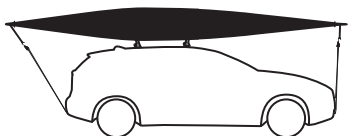
6,8 kg  
15 lbs

Max 34 kg  
75 lbs

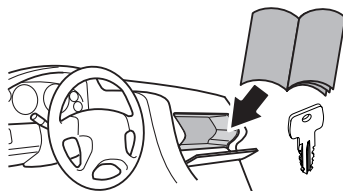
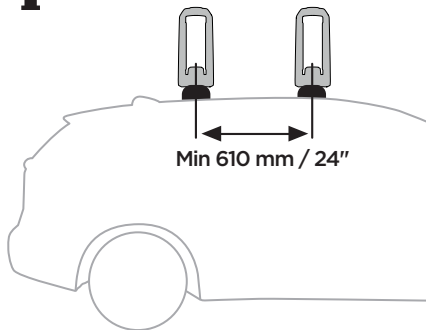


130  
km/h

80  
mph

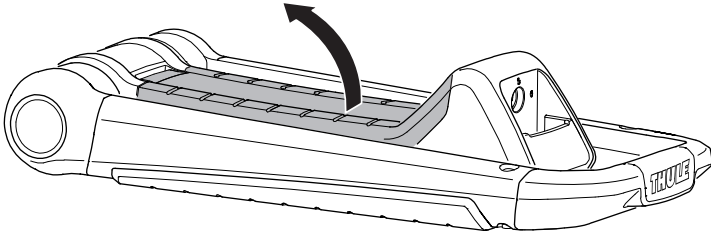


**i**

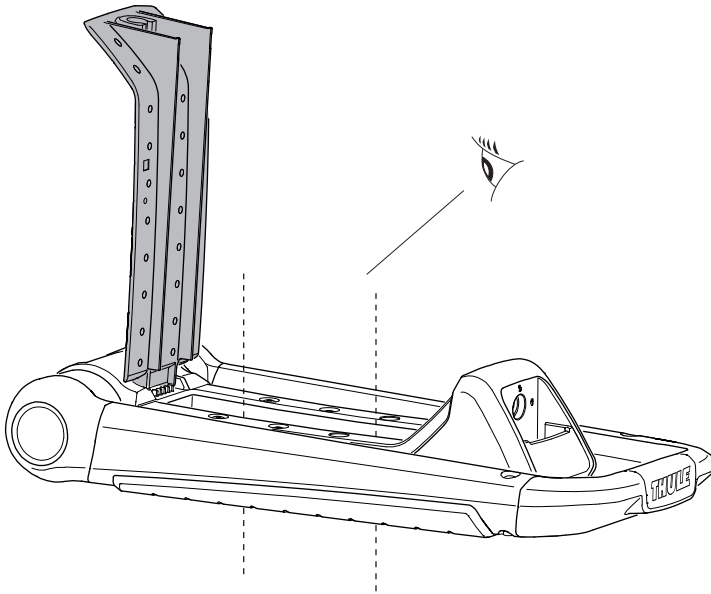


1

A



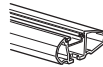
B



**i**



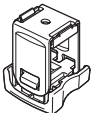
Thule WingBar Evo, Thule WingBar, Thule AeroBlade, Thule AeroBar, Thule ProBar, Thule SlideBar



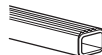
**2-4,  
8-15**



+



+



Thule SquareBar  
Adapter 8897

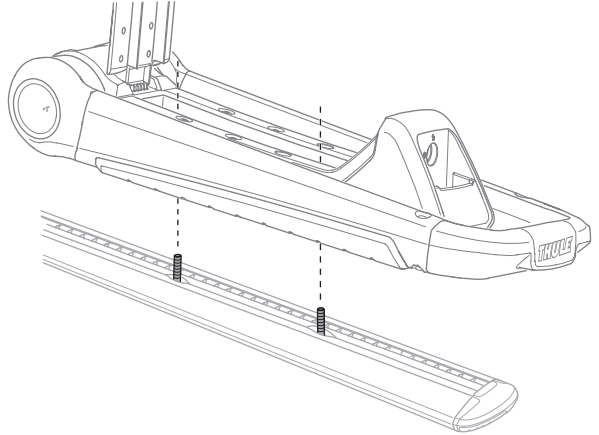
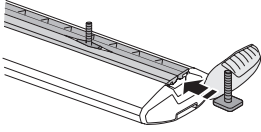
Thule SquareBar

**5-15**

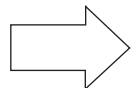
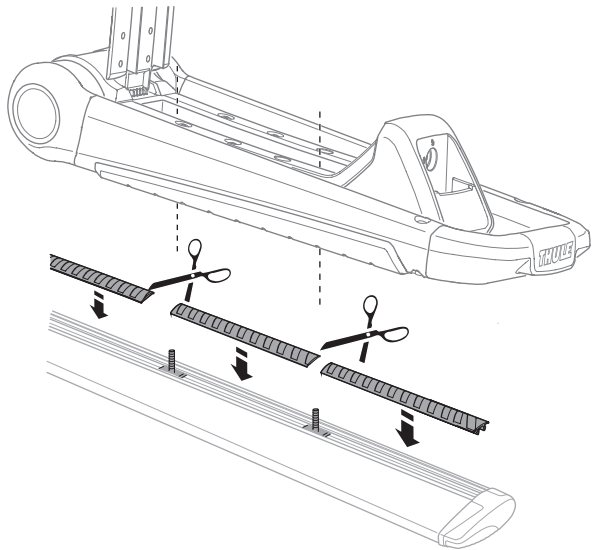
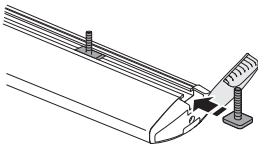
2

 x4

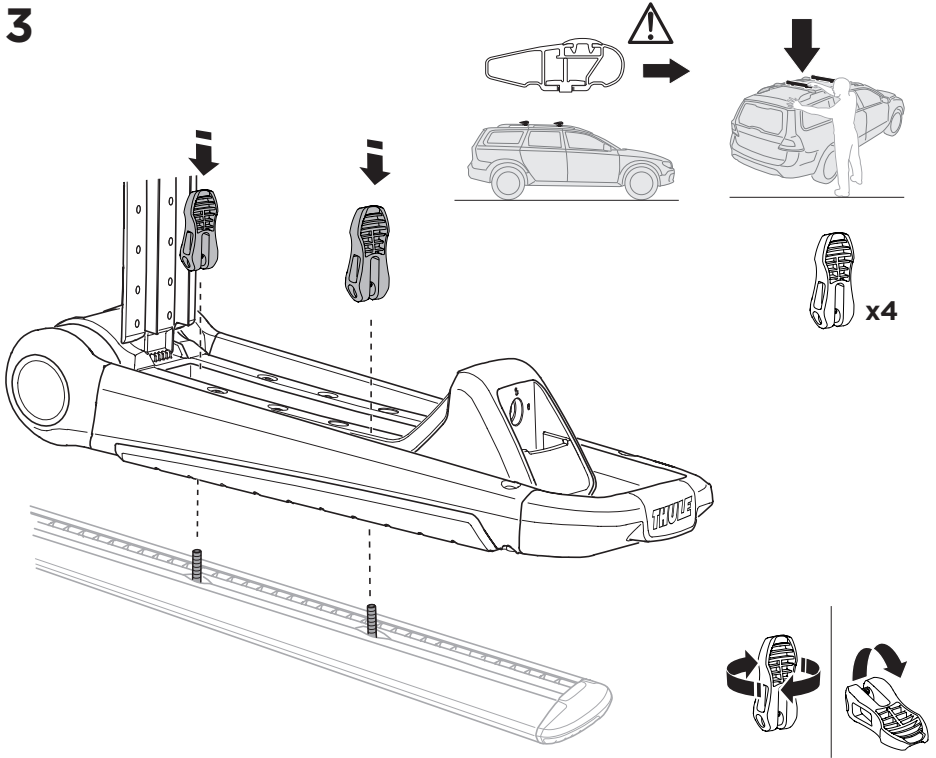
 THULE  
WingBar Evo



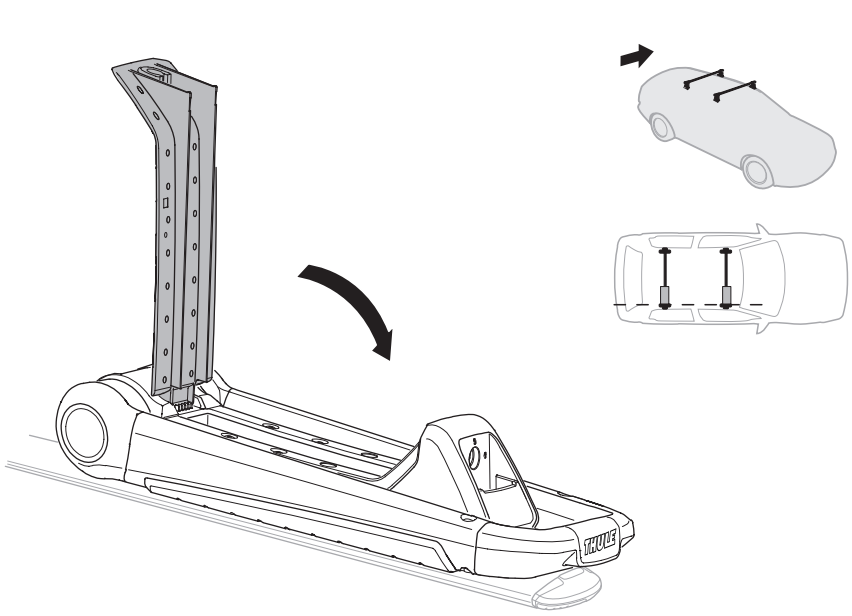
 THULE WingBar  
THULE AeroBlade



3



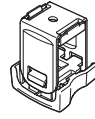
4



5

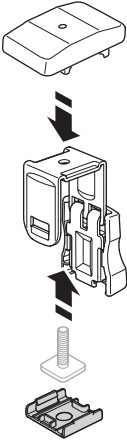
THULE  
SquareBar

Thule SquareBar  
Adapter 8897

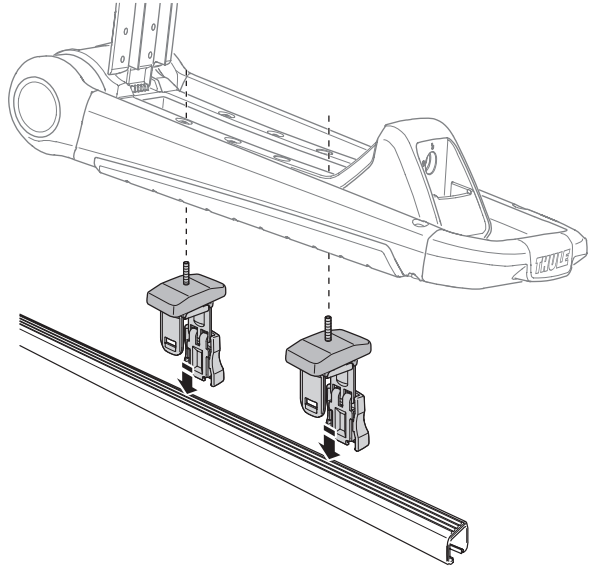


x4

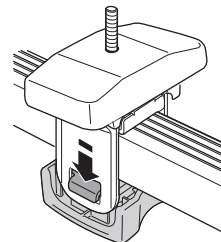
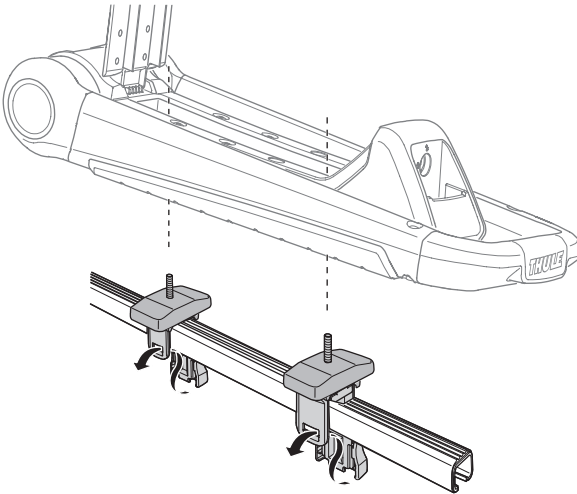
A



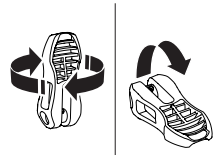
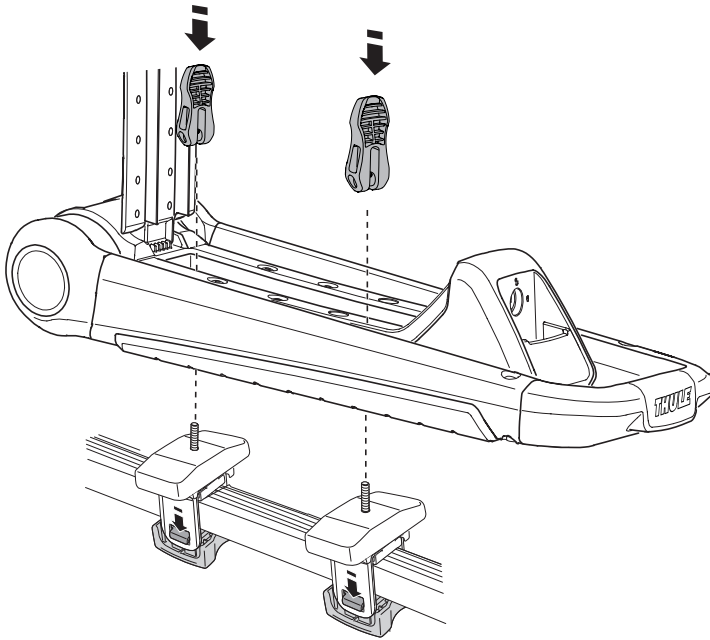
B



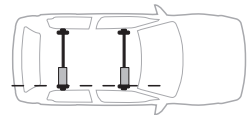
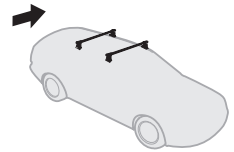
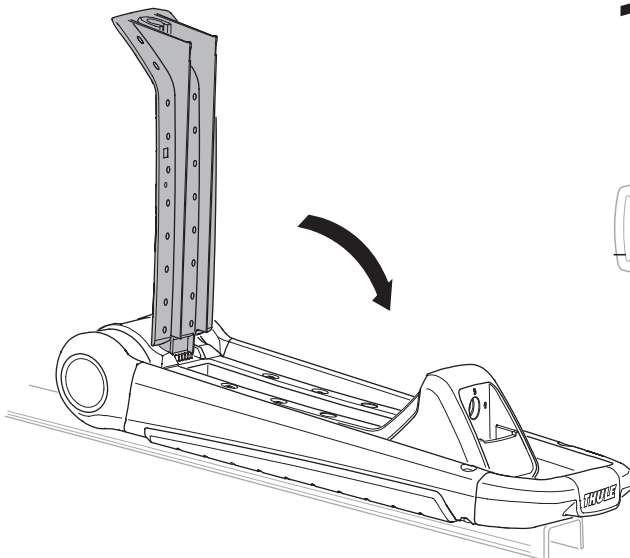
C



6

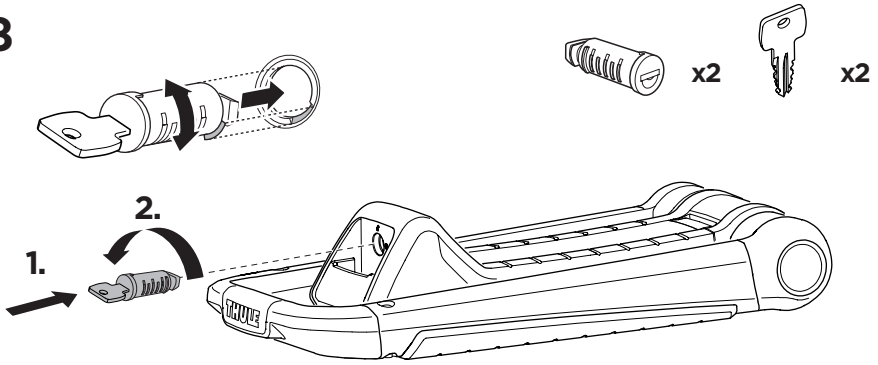


7



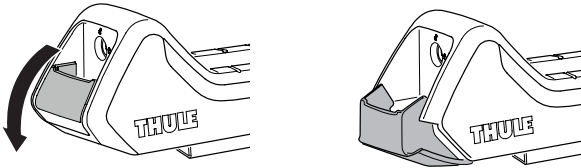
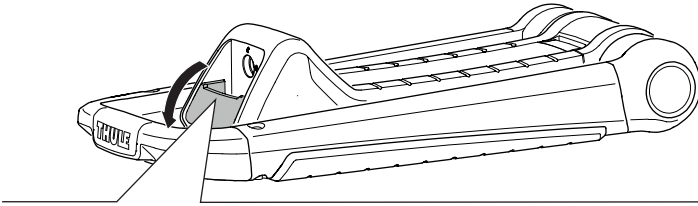


8

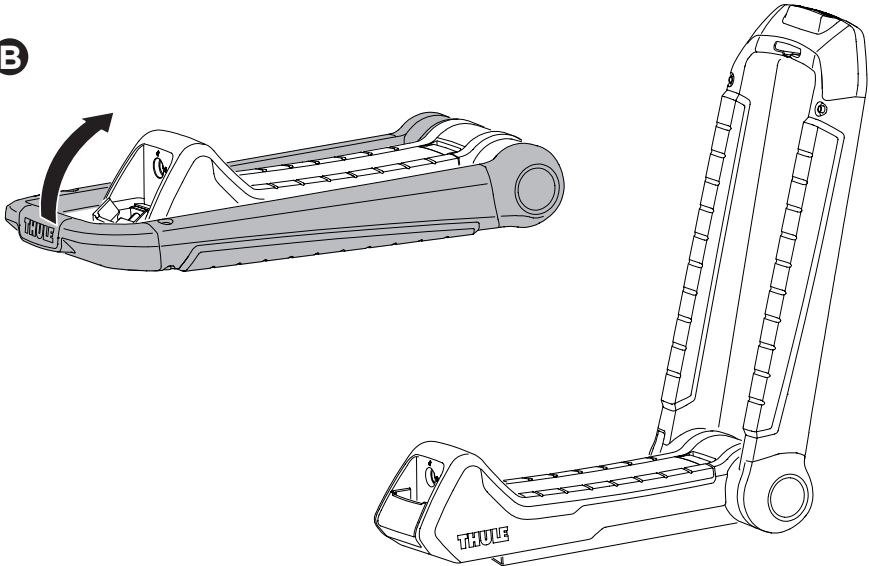


9

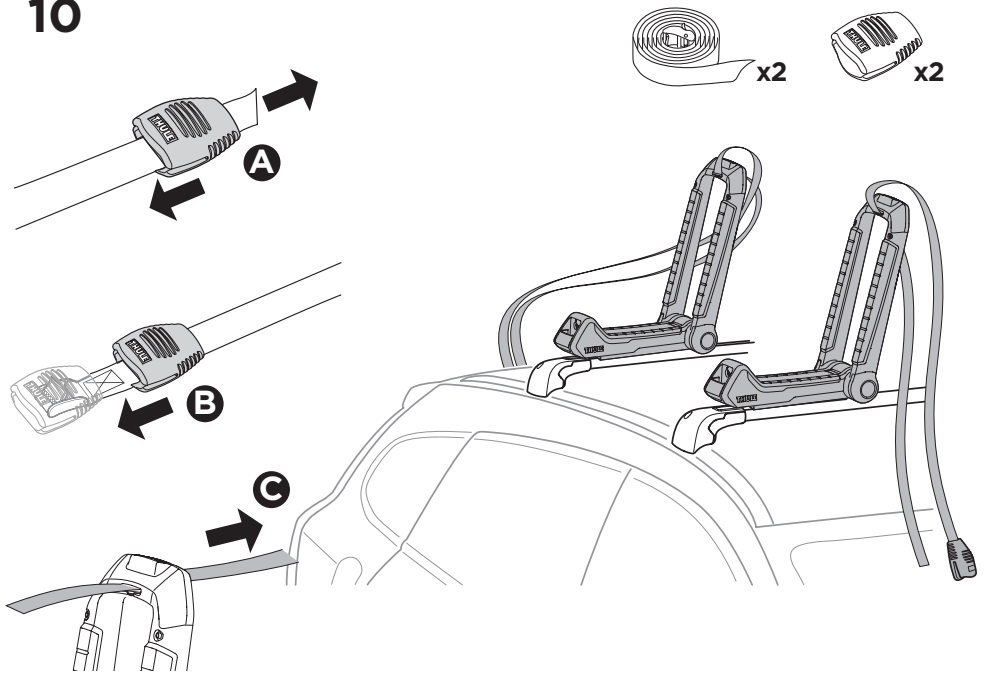
A



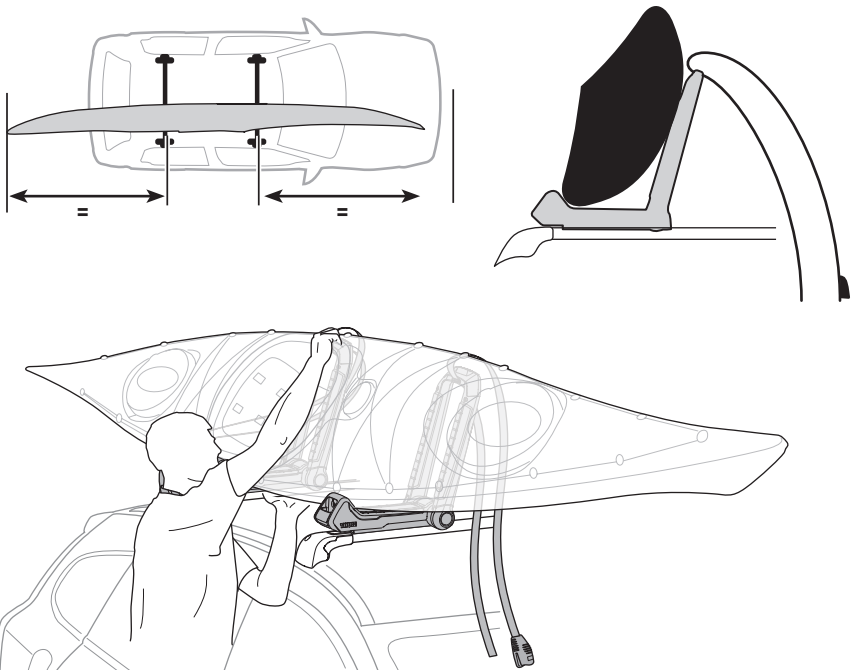
B



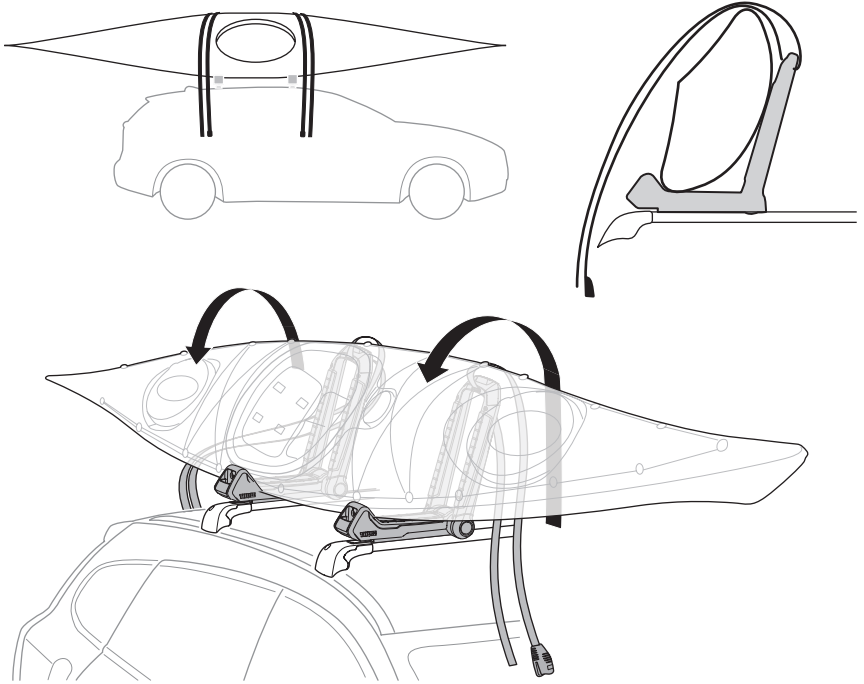
10



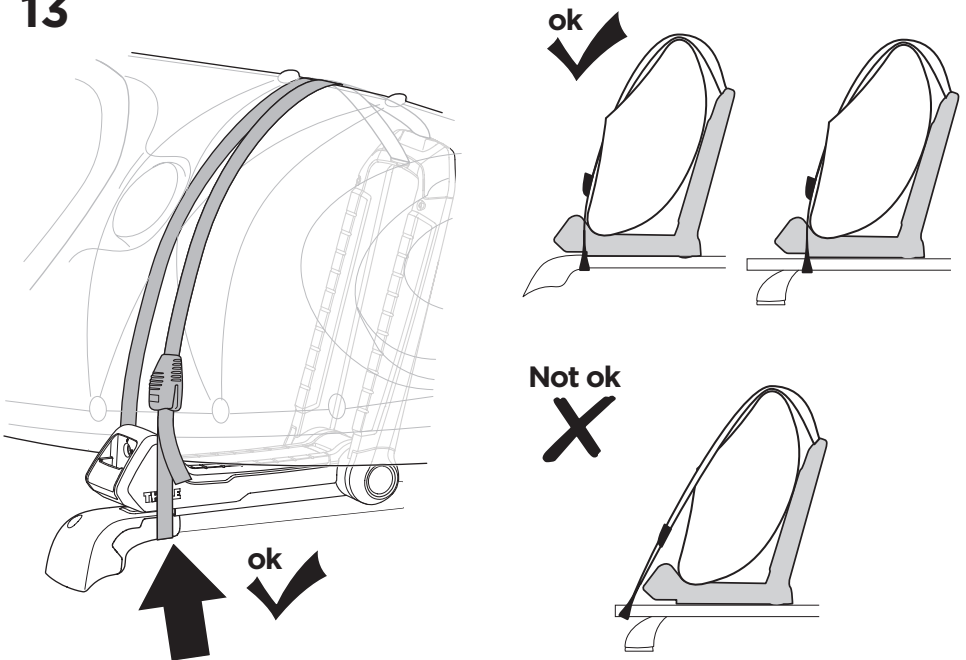
11

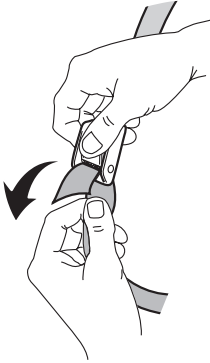
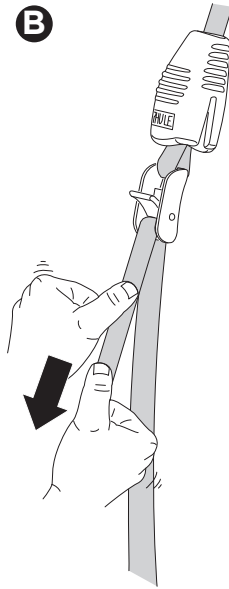
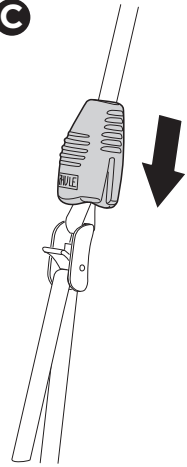


12



13

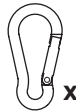


**A****B****C****14**

x2



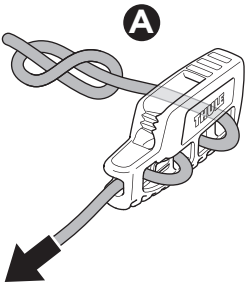
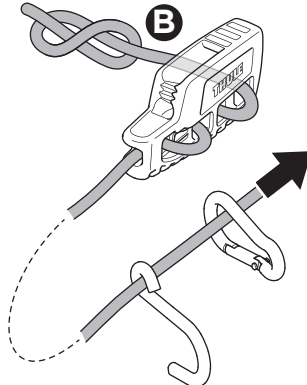
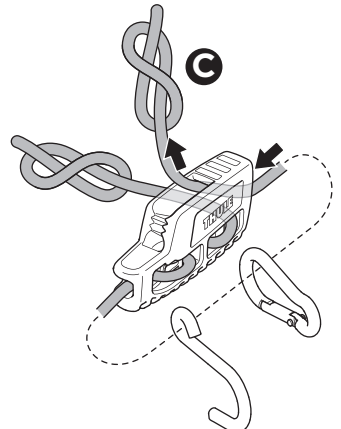
x2



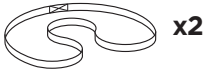
x2



x2

**A****B****C**

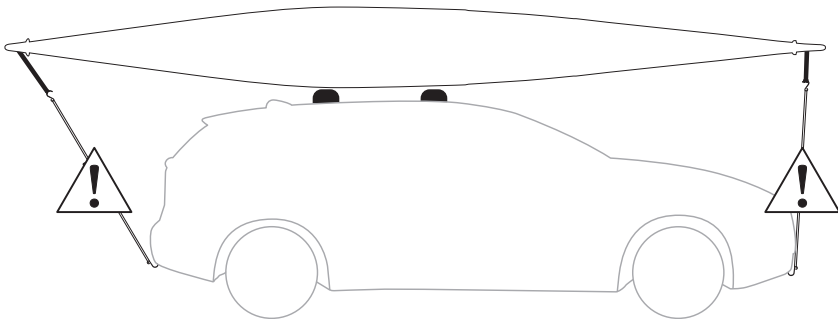
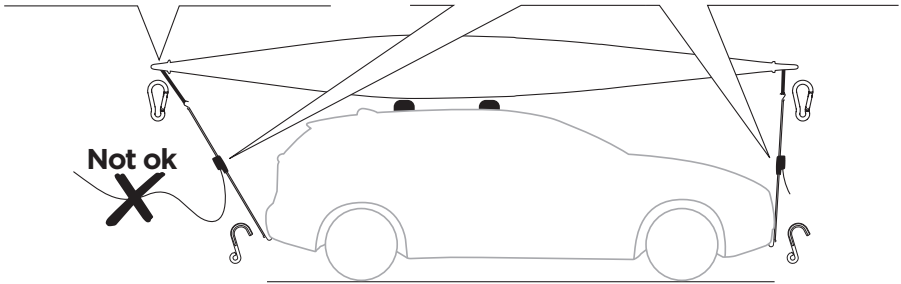
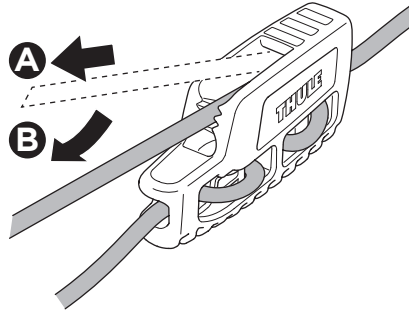
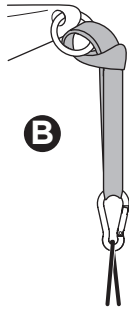
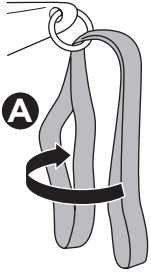
15



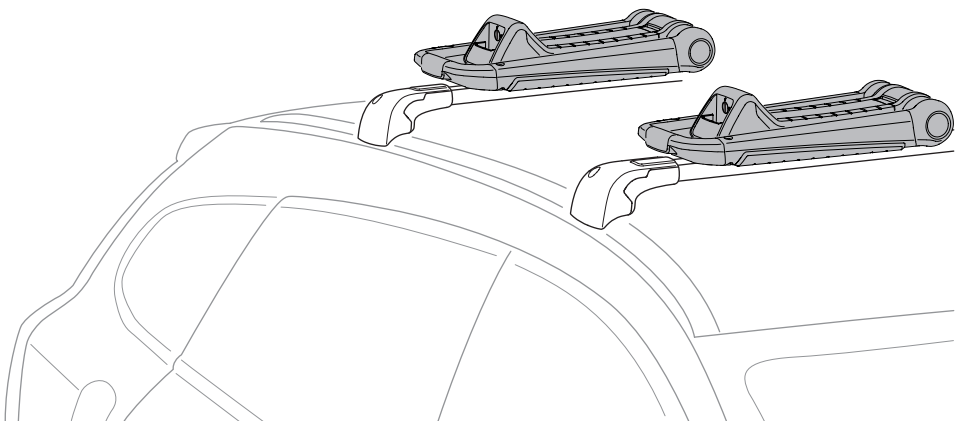
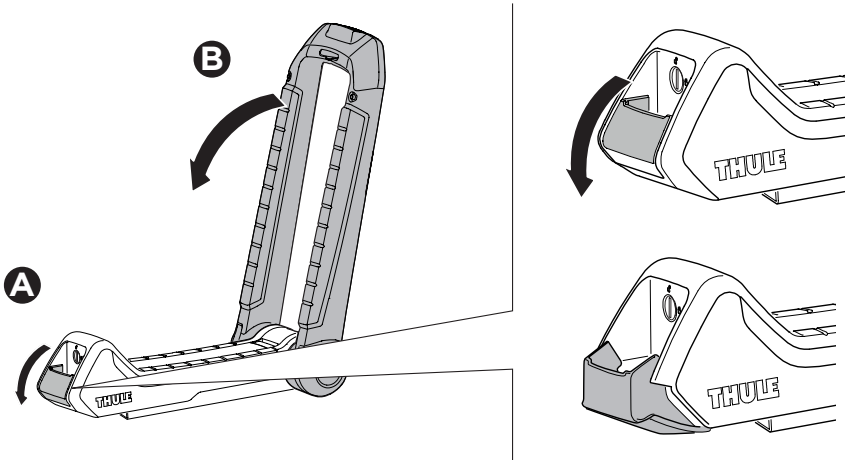
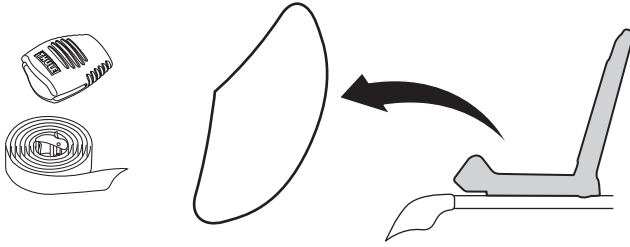
Not ok  
X



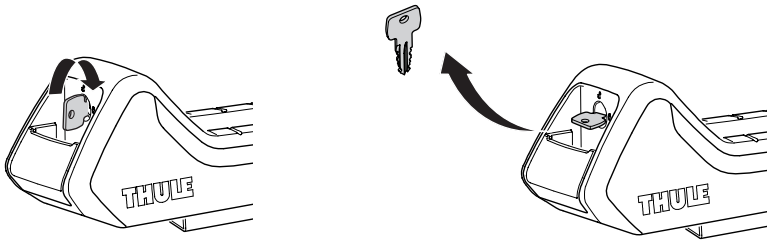
ok  
✓



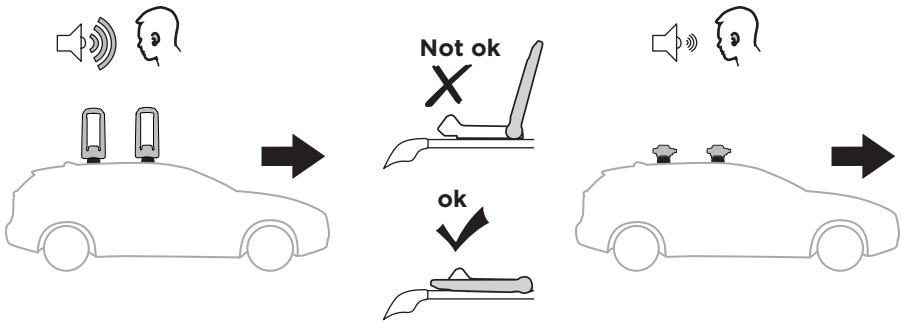
**i**



**i**



**i**



EN Accessories

DK Tilbehør

UK Аксессуары

EL Εξαρτήματα

DE Zubehör

NE Tilbehør

BG Принадлежности

TR Aksesuarlar

FR Accessoires

FI Lisävarusteet

CS Doplňky

الملحقات AR

NL Accessoires

ET Lisavarustus

SK Príslušenstvo

אביזרים HE

IT Accessori

LV Piederumi

SL Dodatki

ZH 附件

ES Accesorios

LT Priedai

HR/BIH Dodaci

JA アクセサリー

PT Acessórios

PL Akcesoria

RO Accesorii

KO 액세서리

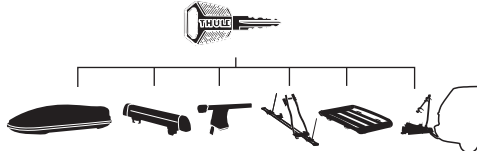
SV Tillbehör

RU Аксессуары

HU Tartozékok

TH อุปกรณ์เสริม

## Thule One-Key System



450200  (x2)

450400  (x4)

450600  (x6)

450800  (x8)

451200  (x12)

451600  (x16)

## Thule Lockable Strap

831 2 x 13 foot

832 2 x 10 foot

841 2 x 400 cm



## Thule Strap

521 1 x 275 cm

522 1 x 400 cm

523 2 x 400 cm

524 2 x 275 cm

551 2 x 600 cm



## Thule Multipurpose Rack

855

## Thule Get-a-Grip

839



## Thule MultiLift

572

