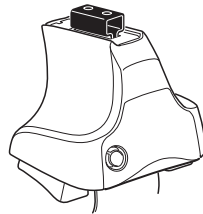
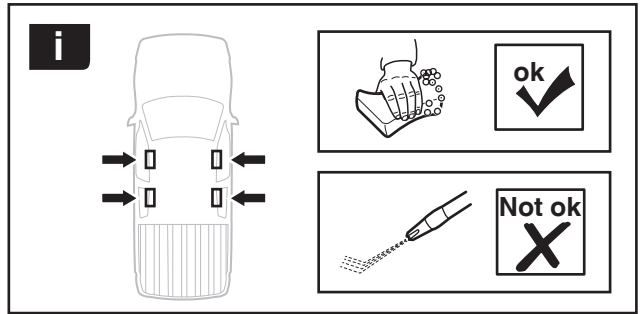
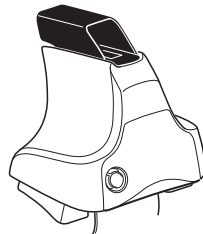
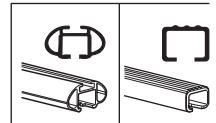


# Kit 1688

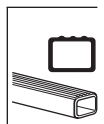
**CHEVROLET S10**, 4-dr Double Cab, 12-  
**HOLDEN Colorado**, 4-dr Double Cab, 12-  
**ISUZU D-Max**, 4-dr Crew Cab, 12-



**754** Rapid System  
**480R** Rapid Traverse (North America)



**480** Traverse (North America)

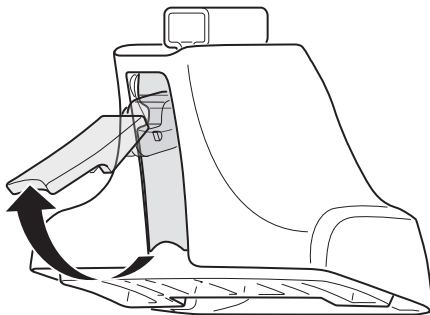


- 754 Rapid System: x1 (box), x4 (cubes), x4 (754 Rapid System), x4 (480R Rapid Traverse (North America)), x4 (screws)
- 480R Rapid Traverse (North America): x1 (ruler), x4 (480R Rapid Traverse (North America)), x4 (cubes), x4 (screws)
- 480 Traverse (North America): x1 (ruler), x4 (480 Traverse (North America)), x4 (cubes), x4 (screws)

- 23 mm bars: x2 (black), x2 (23 mm), x2 (23 mm)
- 17 mm bars: x1 (17 mm), x2 (23 mm)
- Hardware: x4 (screws), x4 (nuts), x2 (nuts), x2 (nuts)
- (North America): x2 (23 mm), x2 (23 mm), x2 (23 mm), x2 (black bar)

- 51228: x8 (plates)
- 1234: x4 (plates)
- 390: x2 (plates)
- 391: x1 (plate)
- 392: x1 (plate)
- Directional diagram: x1 (with RR, FR, FL, RL labels)

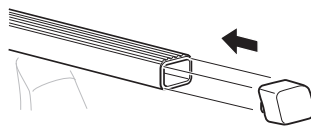
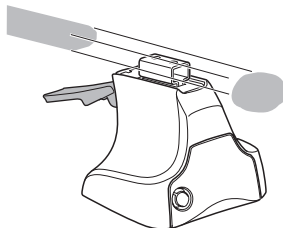
1



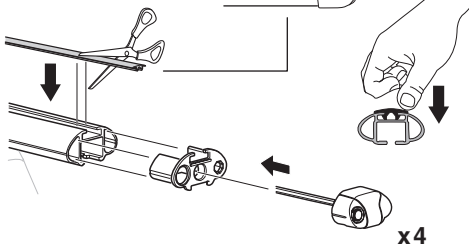
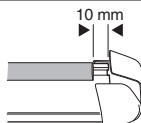
2



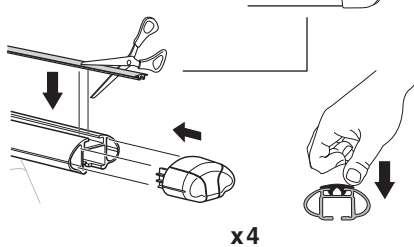
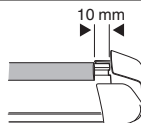
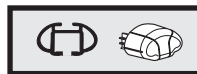
754 Rapid System  
480R Rapid Traverse  
(North America)



x4



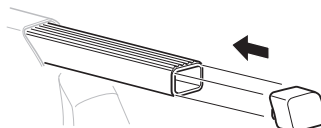
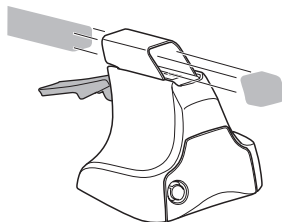
x4



x4

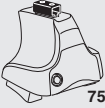


480 Traverse  
(North America)

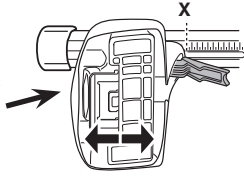


x4

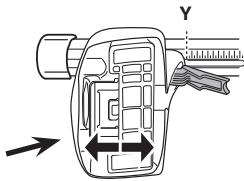
**3**



**754** Rapid System



	<b>X</b>
<b>CHEVROLET S10</b> , 4-dr Double Cab, 12-	<b>38</b>
<b>HOLDEN Colorado</b> , 4-dr Double Cab, 12-	<b>38</b>
<b>ISUZU D-Max</b> , 4-dr Crew Cab, 12-	<b>38</b>



	<b>Y</b>
<b>CHEVROLET S10</b> , 4-dr Double Cab, 12-	<b>35,5</b>
<b>HOLDEN Colorado</b> , 4-dr Double Cab, 12-	<b>35,5</b>
<b>ISUZU D-Max</b> , 4-dr Crew Cab, 12-	<b>35,5</b>

**3**



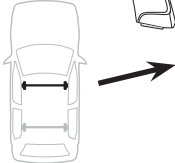
**480R** Rapid Traverse



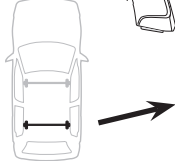
**480** Traverse



**(North America)**

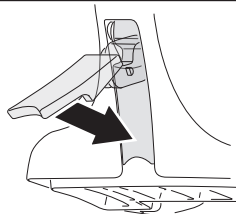


	<b>X inch</b>	<b>X mm</b>
<b>CHEVROLET S10</b> , 4-dr Double Cab, 12-	<b>40 <sup>5</sup>/<sub>8</sub> "</b>	<b>1031 mm</b>
<b>HOLDEN Colorado</b> , 4-dr Double Cab, 12-	<b>40 <sup>5</sup>/<sub>8</sub> "</b>	<b>1031 mm</b>
<b>ISUZU D-Max</b> , 4-dr Crew Cab, 12-	<b>40 <sup>5</sup>/<sub>8</sub> "</b>	<b>1031 mm</b>



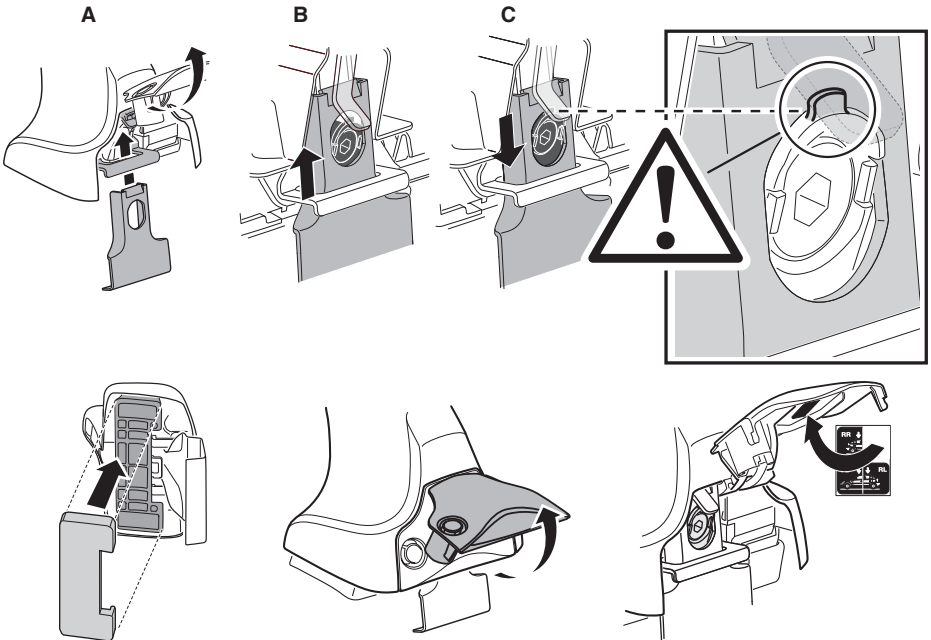
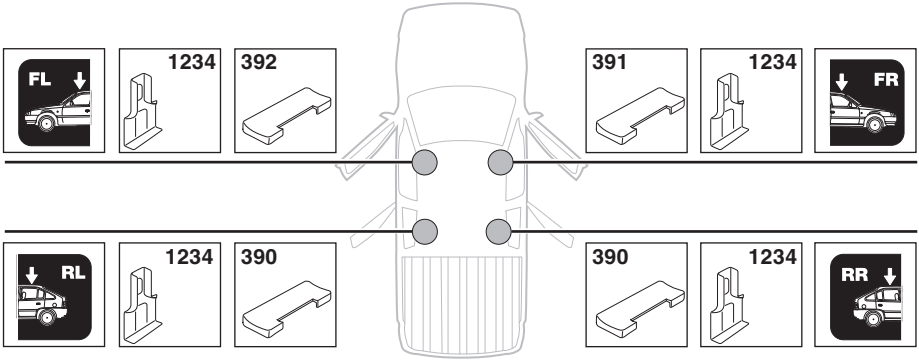
	<b>Y inch</b>	<b>Y mm</b>
<b>CHEVROLET S10</b> , 4-dr Double Cab, 12-	<b>39 <sup>5</sup>/<sub>8</sub> "</b>	<b>1006 mm</b>
<b>HOLDEN Colorado</b> , 4-dr Double Cab, 12-	<b>39 <sup>5</sup>/<sub>8</sub> "</b>	<b>1006 mm</b>
<b>ISUZU D-Max</b> , 4-dr Crew Cab, 12-	<b>39 <sup>5</sup>/<sub>8</sub> "</b>	<b>1006 mm</b>

**4**

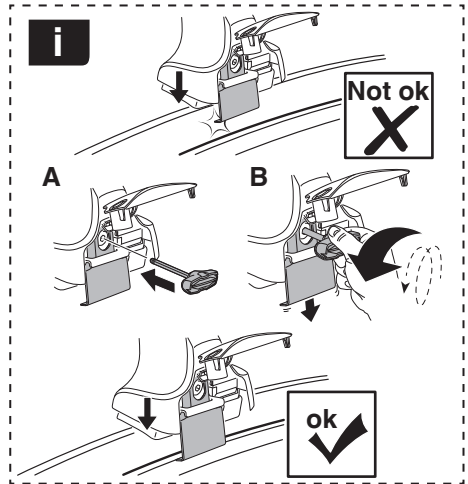
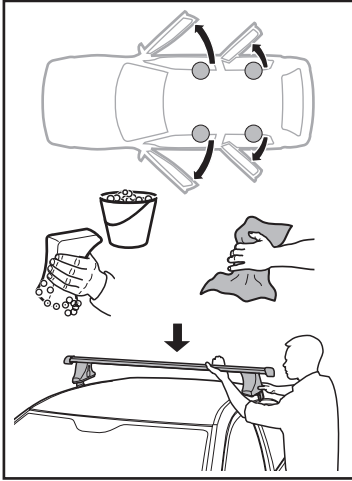


# 5

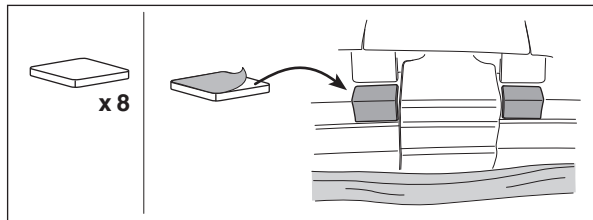
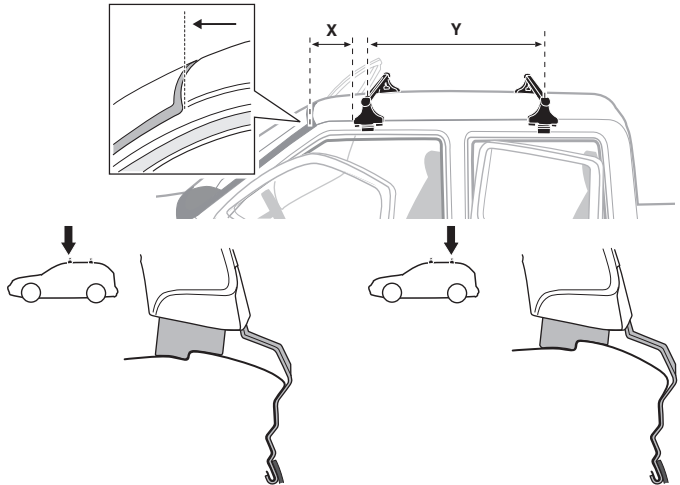
**CHEVROLET S10**, 4-dr Double Cab, 12-  
**HOLDEN Colorado**, 4-dr Double Cab, 12-  
**ISUZU D-Max**, 4-dr Crew Cab, 12-



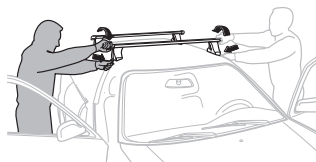
6



	X mm	Y mm	X inch	Y inch
CHEVROLET S10, 4-dr Double Cab, 12-	250 mm	700 mm	9 7/8"	27 1/2"
HOLDEN Colorado, 4-dr Double Cab, 12-	250 mm	700 mm	9 7/8"	27 1/2"
ISUZU D-Max, 4-dr Crew Cab, 12-	250 mm	700 mm	9 7/8"	27 1/2"



7



GB/US Tighten alternately  
 D Die Schrauben abwechselnd anziehen  
 F Serrer alternativement chaque côté  
 NL Afwisselend aan de linker- en de rechterkant aandraaien  
 I Alternare il serraggio delle viti  
 E Apretar alternativamente  
 PT Aperte alternadamente  
 S Dra åt växelvis  
 FIN Kierrä vuorotellen  
 EST Pinguldage vaheldumisi  
 LAT Pieļieciet pamišus  
 LIT Užsukinėkite pakaitomis  
 PL Śruby dokręcaj naprzemiennie  
 RU Затягивайте попеременно

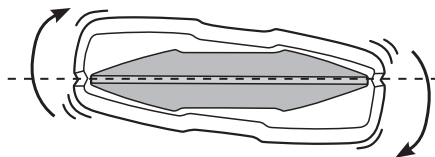
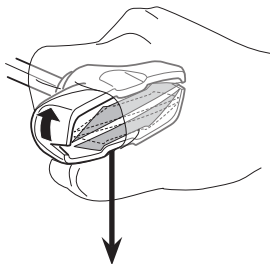
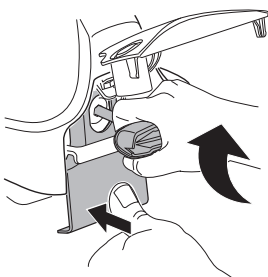
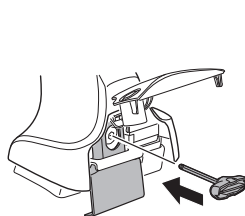
CZ Pokręťta bagażnika dokręcaj naprzemiennie.  
 SK Dofahajte striedavo  
 SLO Privijajte izmenično.  
 HR Naizmjenočno zategnite  
 HU Egymástól függetlenül szorítandó  
 GR Σφιγγείτε εναλλάξ  
 TR Dönüşümlü sıkın

中文 交替拧紧

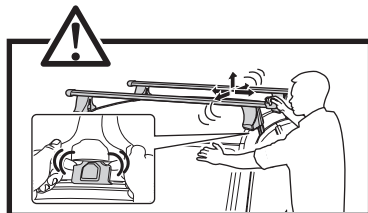
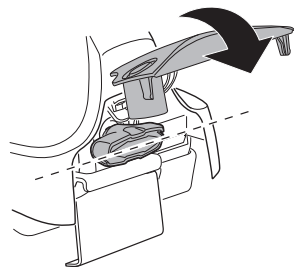
한국어 번갈아 가며 조이십시오.

日本語 交互に締め付けてください。

ไทย ขึ้นในแบบสลับ



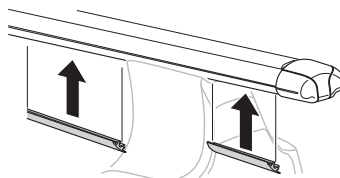
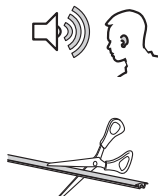
≈ 3 Nm

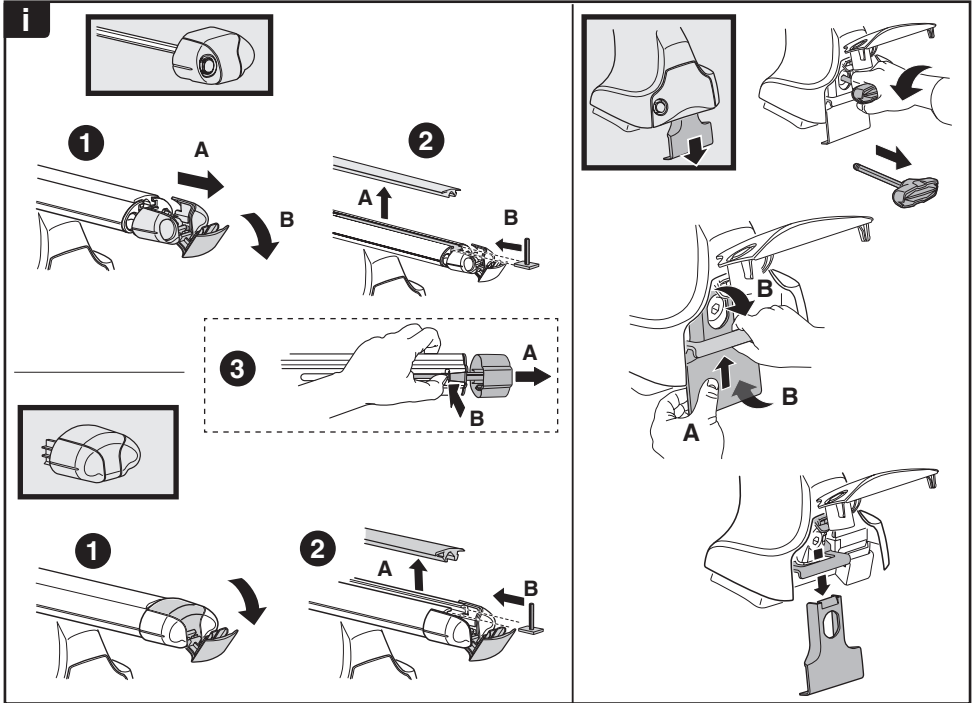
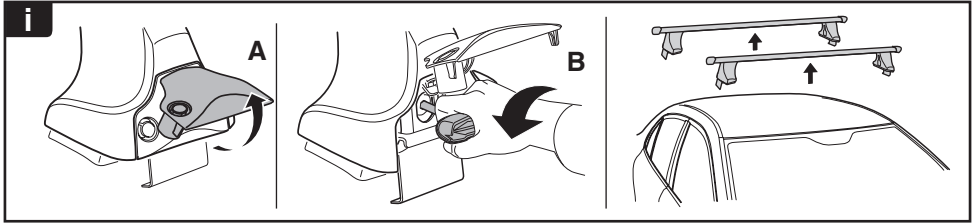


8

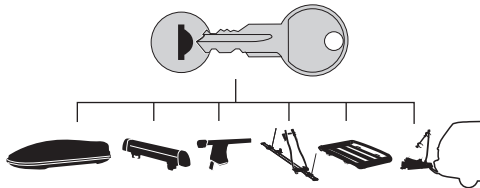


x1  
17 mm





**THULE**  
SWEDEN  
**ONE  
KEY  
SYSTEM**



**544** (x4)

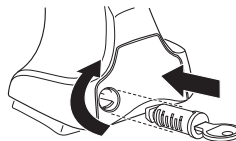
**596** (x6)

**588** (x8)

NA **510** (x10)

EUR **452** (x12)

ASIA



WW ▶ Thule Sweden AB, Box 69, 330 33 Hillerstorp, SWEDEN

NA ▶ Thule Inc., 42 Silvermine Road, Seymour, Connecticut 06483, USA

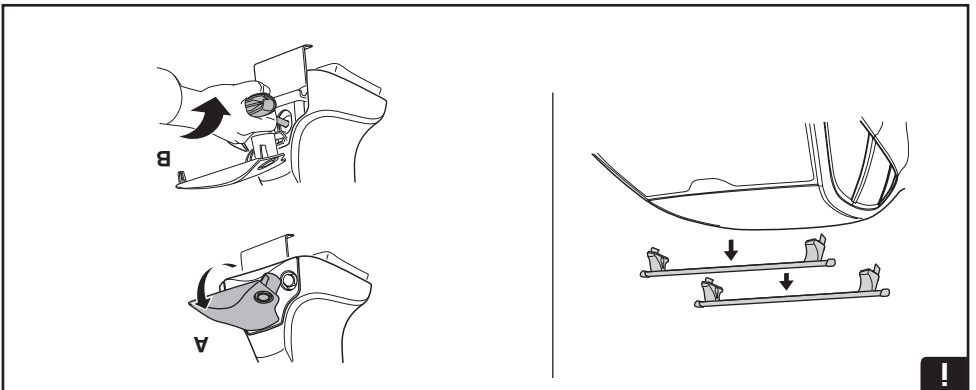
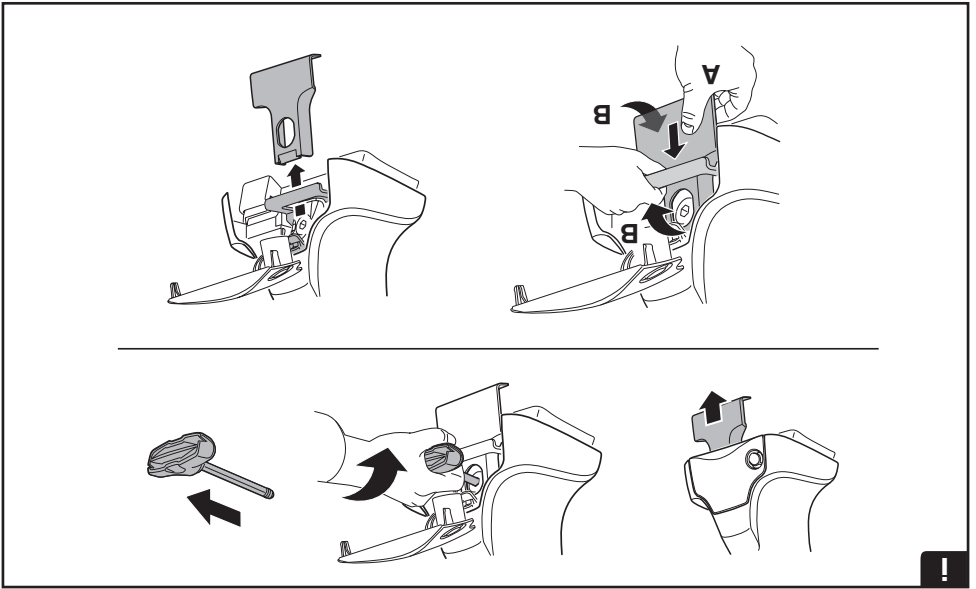
info@thule.com

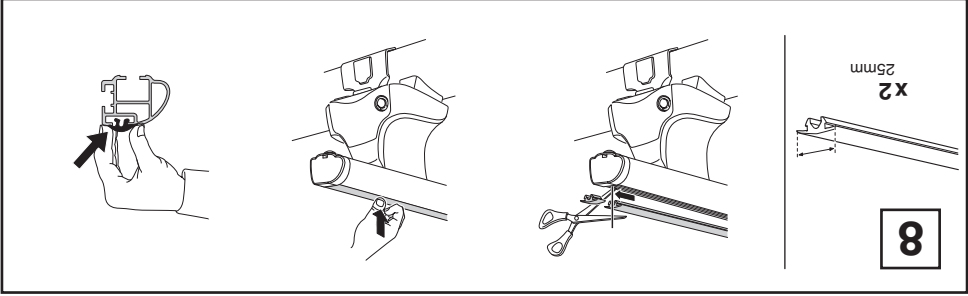
customer.service@thule.com



www.thule.com



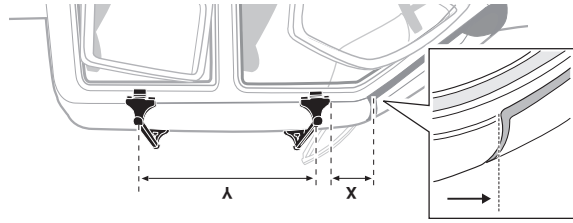
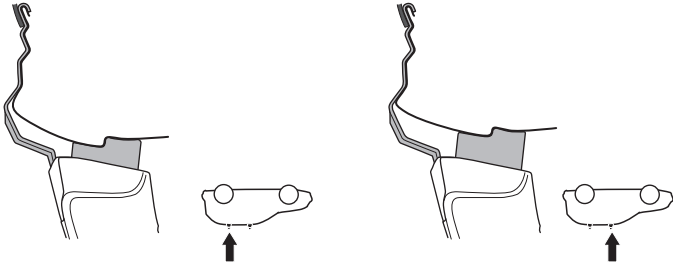
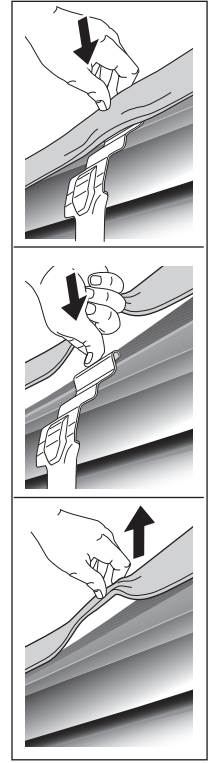
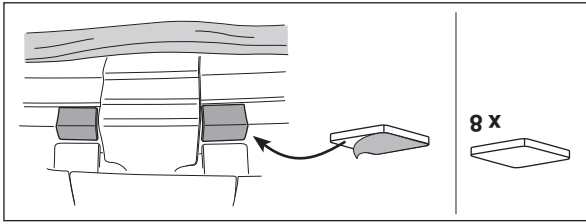




**GB/US** Tighten alternately  
D Die Schrauben abwechselnd  
anziehen  
F Serrer alternativement chaque côté  
NL Afwisselend aan de linker- en de  
rechterkant aandraaien  
I Alternare il serraggio delle viti  
Apretar alternadamente  
E Apretar alternativamente  
PT Aperte alternadamente  
S Dra åt växelvis  
FIN Kierrä vuorotellen  
EST Pinguldage vaheldumisi  
LAT Pveicīet pantišus  
LIT Užsukinėkite pakaitomis  
PL Słubę dokrecaj naprzemiennie  
RU Слэбы докрецај noneпeмeннo

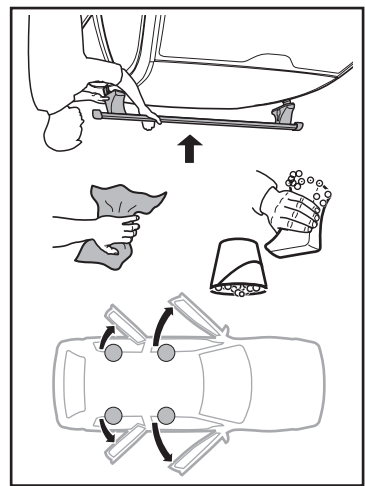
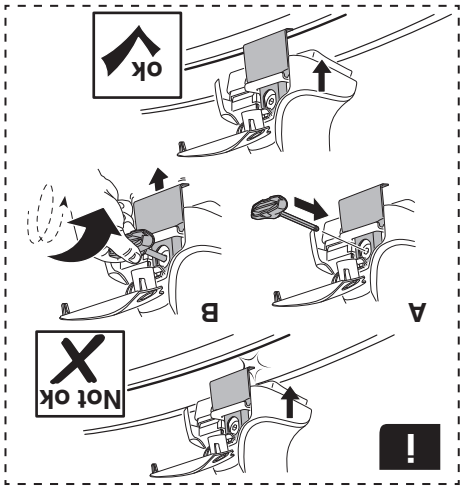
**CZ** Pokrétla bagazníka dokrecaj  
dokrecaj naprzemiennie.  
SK Dotiahnuť striedavo  
SLO Privijajte izmenično.  
HR Najzamenično zategnite  
HU Egymástól függetlenül  
GR Zephyrete evadák  
TR Dönüşümlü sıkın  
中文 交替拧紧  
한국어 변갈아 가며 조이십시오.  
日本語 交互に締め付けてください。

≈ 3 Nm

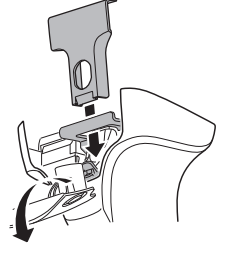
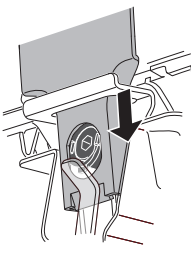
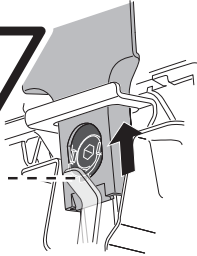
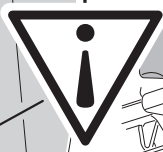
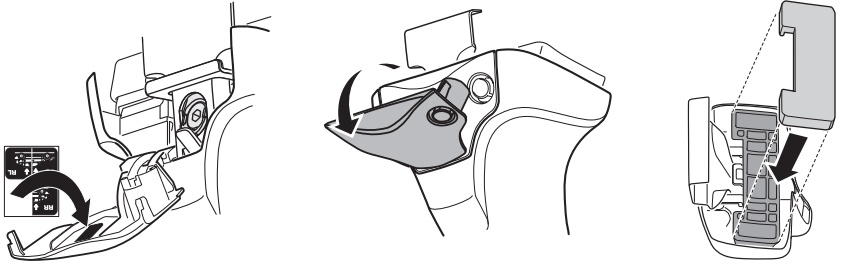


ISUZU D-Max, 4-dr Crew Cab, 12-	250 mm	700 mm	9 7/8"	27 1/2"
HOLDEN Colorado, 4-dr Double Cab, 12-	250 mm	700 mm	9 7/8"	27 1/2"
CHEVROLET S10, 4-dr Double Cab, 12-	250 mm	700 mm	9 7/8"	27 1/2"

X mm      Y mm      X inch      Y inch



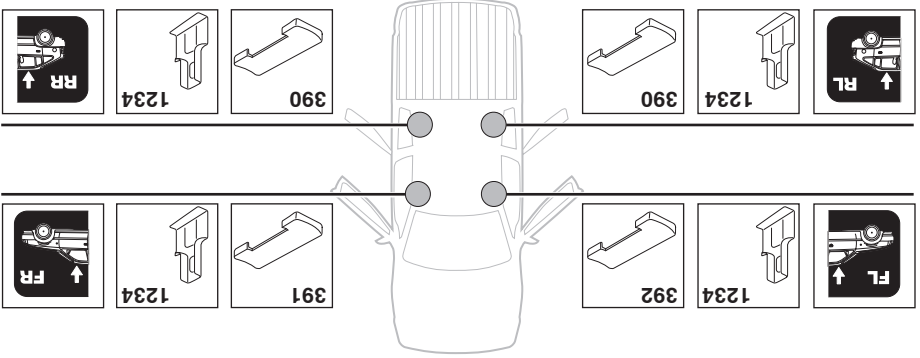
6



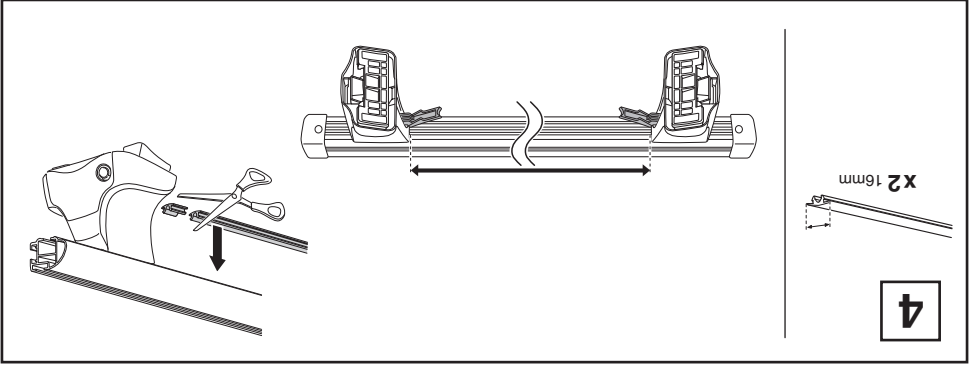
C

B

A



CHEVROLET S10, 4-dr Double Cab, 12-  
 HOLDEN Colorado, 4-dr Double Cab, 12-  
 ISUZU D-Max, 4-dr Crew Cab, 12-

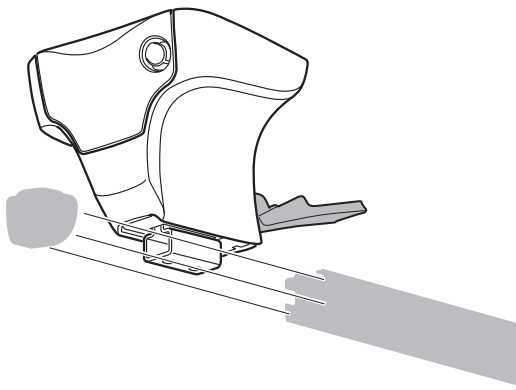
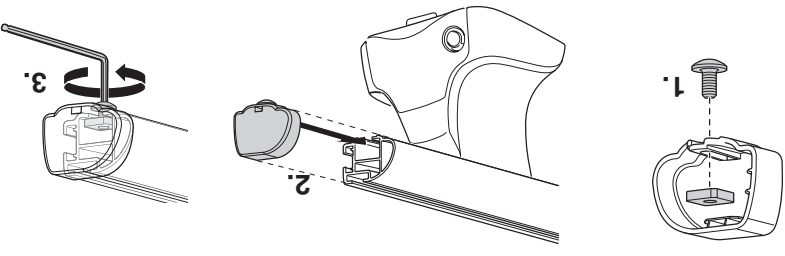


ISUZU D-Max, 4-dr Crew Cab, 12-	39 5/8"	1006 mm
HOLDEN Colorado, 4-dr Double Cab, 12-	39 5/8"	1006 mm
CHEVROLET S10, 4-dr Double Cab, 12-	39 5/8"	1006 mm

Y inch      Y mm

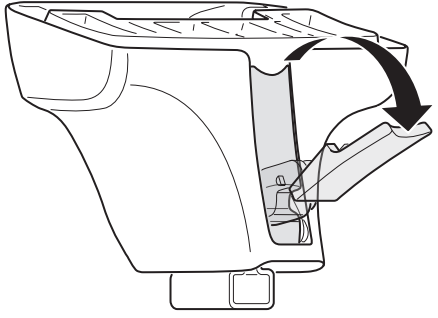
ISUZU D-Max, 4-dr Crew Cab, 12-	40 5/8"	1031 mm
HOLDEN Colorado, 4-dr Double Cab, 12-	40 5/8"	1031 mm
CHEVROLET S10, 4-dr Double Cab, 12-	40 5/8"	1031 mm

X inch      X mm

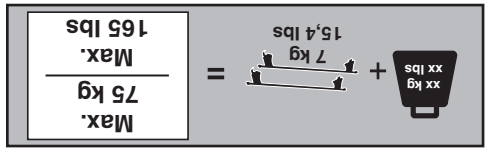
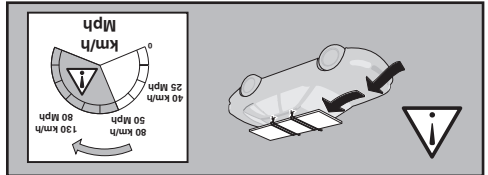
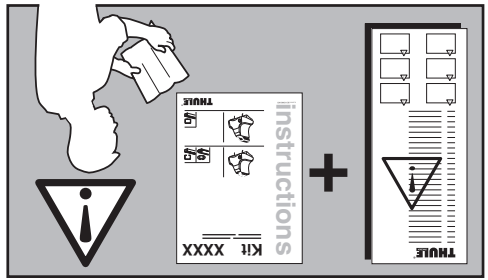
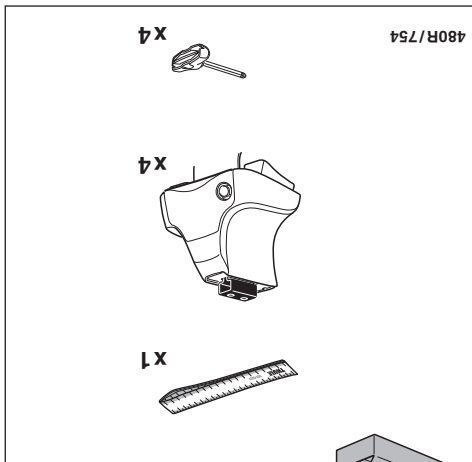
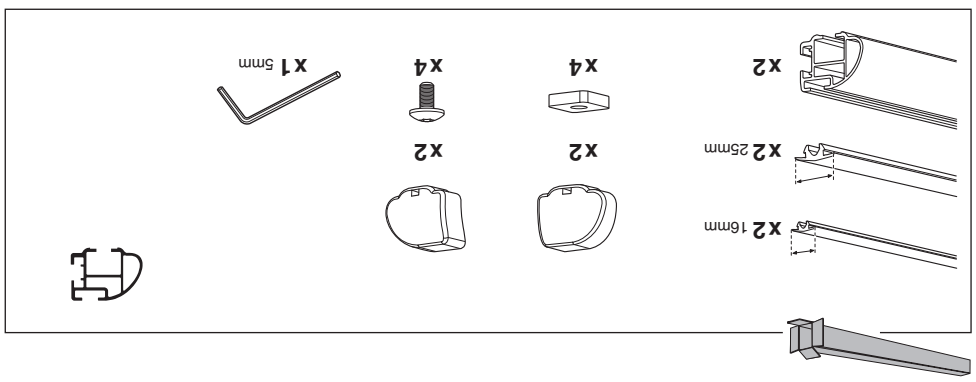
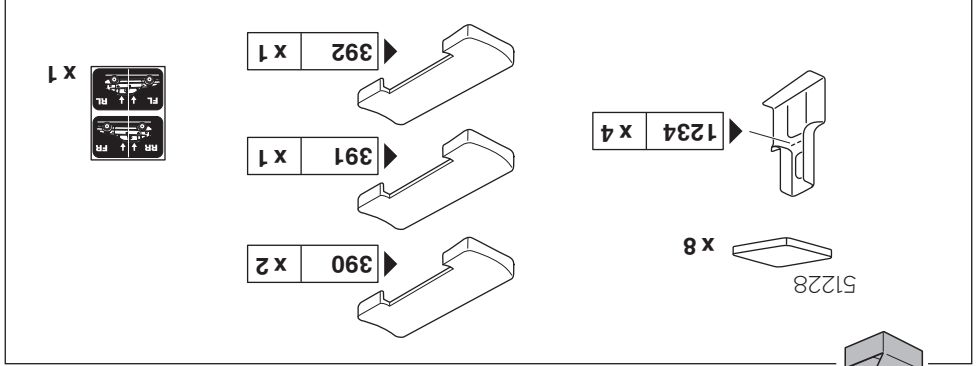


-   
x1 5mm
-   
x4
-   
x4
-   
x2
-   
x2

2



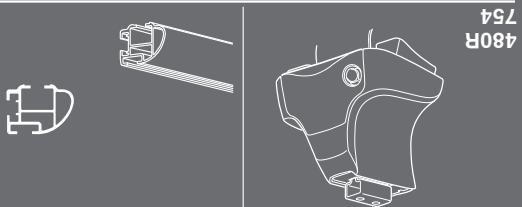
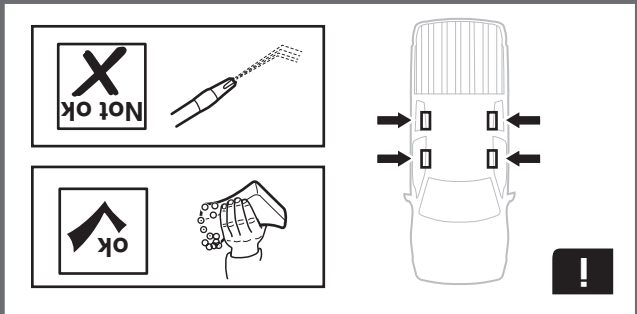
1



# instructions

# Kit 1688

CHEVROLET S10, 4-dr Double Cab, 12-  
HOLDEN Colorado, 4-dr Double Cab, 12-  
ISUZU D-Max, 4-dr Crew Cab, 12-



**THULE**  
SWEDEN  
PROFESSIONAL

ISO 11154-E