

# Thule Rapid System Kit 1298

# > Instructions

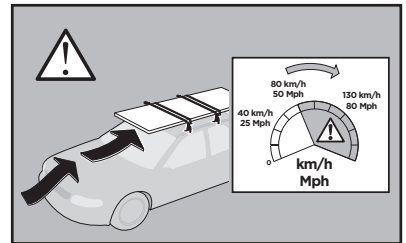
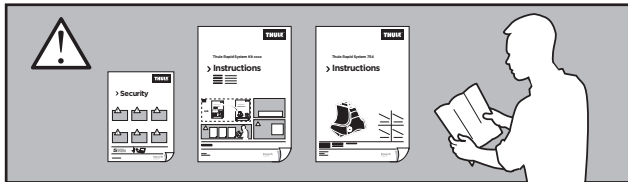
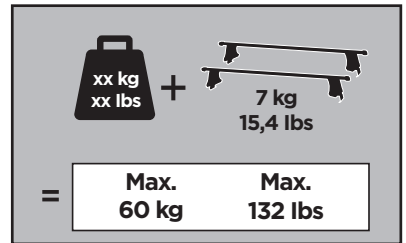
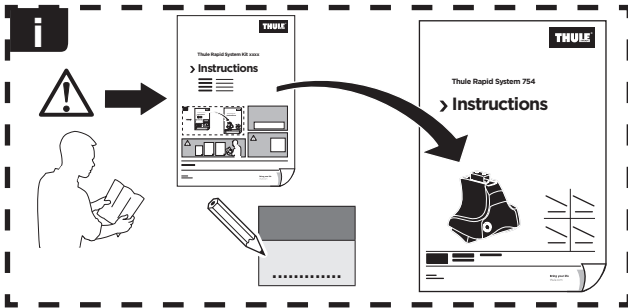
**LEXUS RX 300/400h (Mk II)**, 5-dr SUV, 03-09

**LEXUS RX 350/450h (Mk III)**, 5-dr SUV, 09- / \*10-

**TOYOTA Harrier (Mk II)**, 5-dr SUV, 03-09

**TOYOTA Venza**, 5-dr SUV, \*09-

\*North America



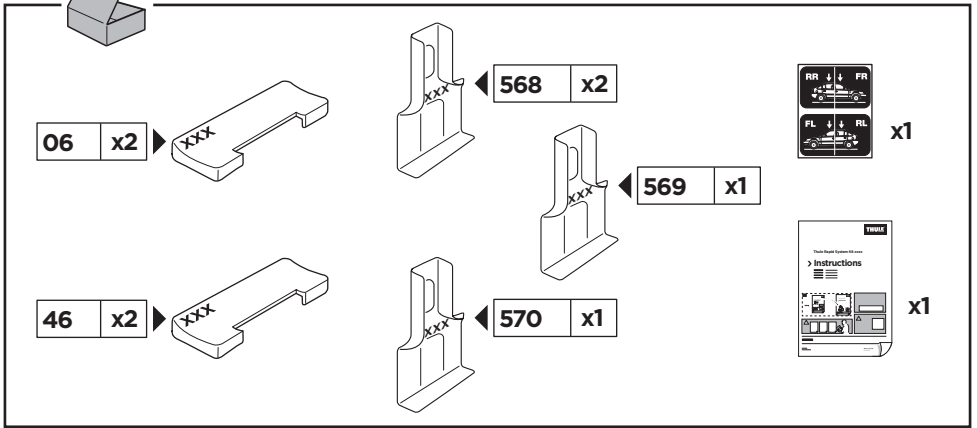
ISO 11154-E

**141298**

C.20150206  
519-1298-04

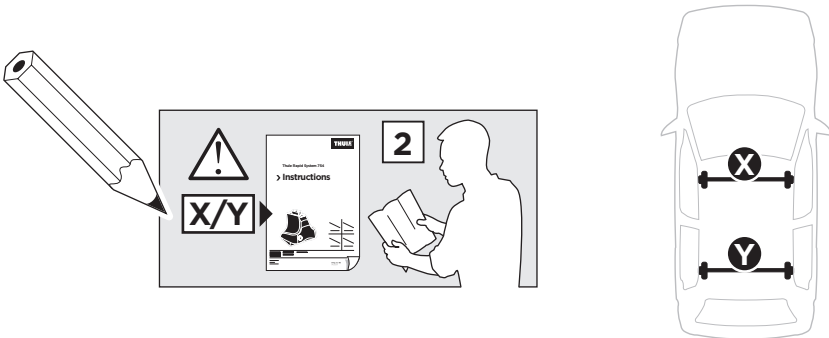
**Bring your life**

thule.com



# 1

|                                                          | X (scale) | X (mm) | X (inch)                       |
|----------------------------------------------------------|-----------|--------|--------------------------------|
| <b>LEXUS RX 300/400h (Mk II)</b> , 5-dr SUV, 03-09       | 36        | 1011   | 39 <sup>3</sup> / <sub>4</sub> |
| <b>LEXUS RX 350/450h (Mk III)</b> , 5-dr SUV, 09- / *10- | 40,5      | 1056   | 41 <sup>5</sup> / <sub>8</sub> |
| <b>TOYOTA Harrier (Mk II)</b> , 5-dr SUV, 03-09          | 36        | 1011   | 39 <sup>3</sup> / <sub>4</sub> |
| <b>TOYOTA Venza</b> , 5-dr SUV, *09-                     | 44,5      | 1096   | 43 <sup>1</sup> / <sub>8</sub> |



|                                                          | Y (scale) | Y (mm) | Y (inch)                       |
|----------------------------------------------------------|-----------|--------|--------------------------------|
| <b>LEXUS RX 300/400h (Mk II)</b> , 5-dr SUV, 03-09       | 35,5      | 1006   | 39 <sup>5</sup> / <sub>8</sub> |
| <b>LEXUS RX 350/450h (Mk III)</b> , 5-dr SUV, 09- / *10- | 36,5      | 1016   | 40                             |
| <b>TOYOTA Harrier (Mk II)</b> , 5-dr SUV, 03-09          | 35,5      | 1006   | 39 <sup>5</sup> / <sub>8</sub> |
| <b>TOYOTA Venza</b> , 5-dr SUV, *09-                     | 44        | 1091   | 43                             |

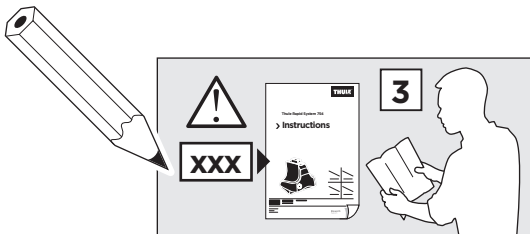
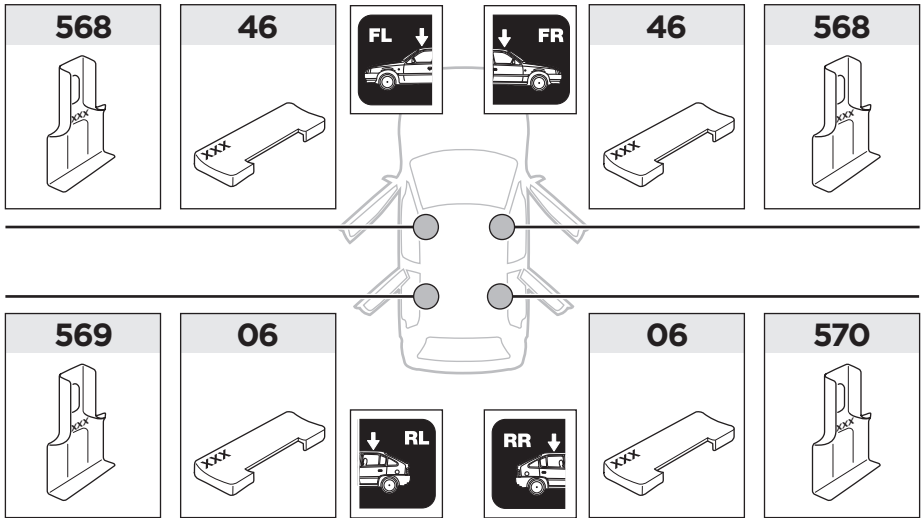
# 2

**LEXUS RX 300/400h (Mk II),** 5-dr SUV, 03-09

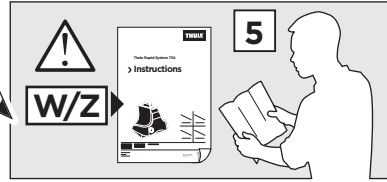
**LEXUS RX 350/450h (Mk III),** 5-dr SUV, 09- / \*10-

**TOYOTA Harrier (Mk II),** 5-dr SUV, 03-09

**TOYOTA Venza,** 5-dr SUV, \*09-



**3**



|                                                         | W (mm)     | Z (mm)     | W (inch)      | Z (inch)  |
|---------------------------------------------------------|------------|------------|---------------|-----------|
| <b>LEXUS RX 300/400h (Mk II)</b> , 5-dr SUV, 03-09      | <b>215</b> | <b>660</b> | <b>8 1/2</b>  | <b>26</b> |
| <b>LEXUS RX 350/450h (Mk III)</b> , 5-dr SUV, 09- /*10- | <b>280</b> | <b>660</b> | <b>11</b>     | <b>26</b> |
| <b>TOYOTA Harrier (Mk II)</b> , 5-dr SUV, 03-09         | <b>215</b> | <b>660</b> | <b>8 1/2</b>  | <b>26</b> |
| <b>TOYOTA Venza</b> , 5-dr SUV, *09-                    | <b>300</b> | <b>720</b> | <b>11 3/4</b> | <b>28</b> |

